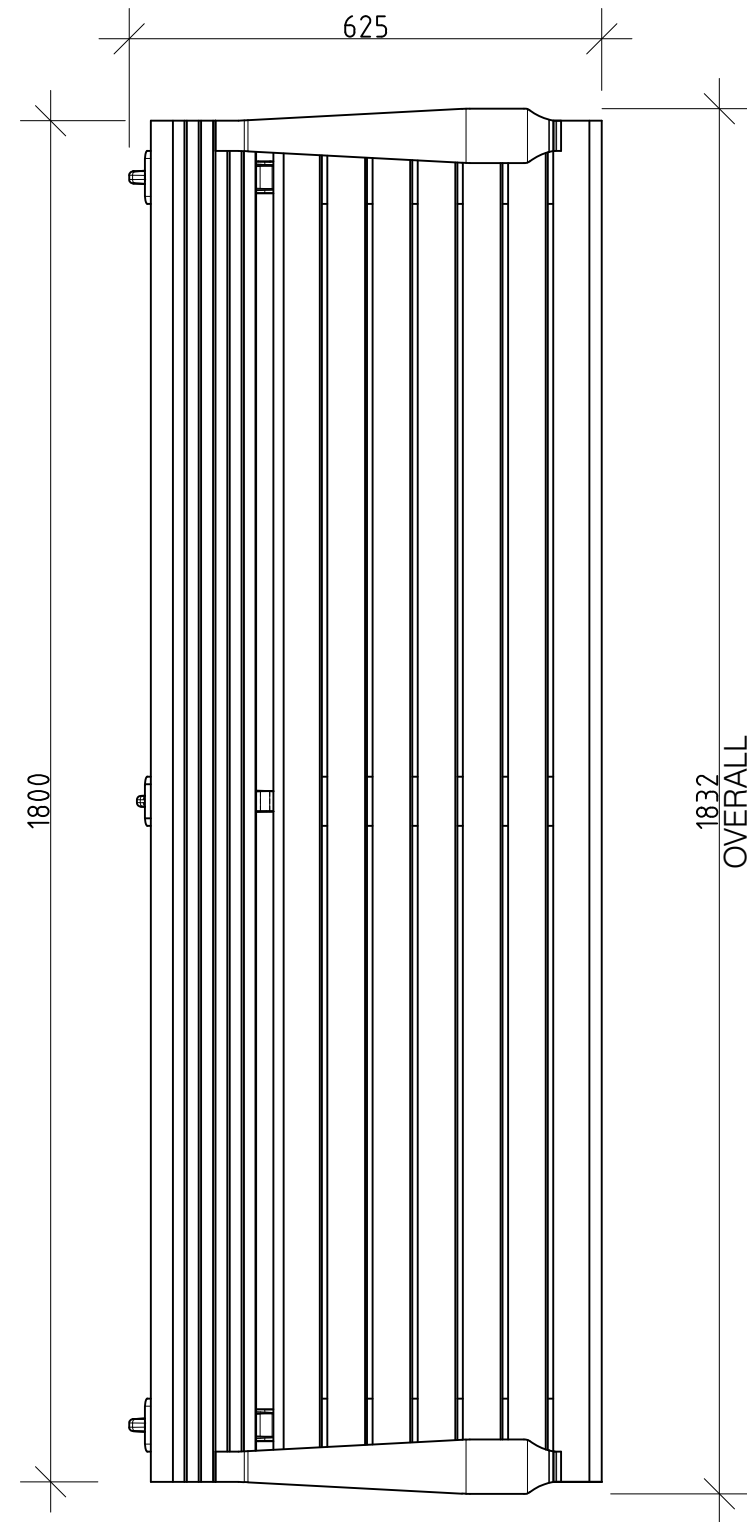


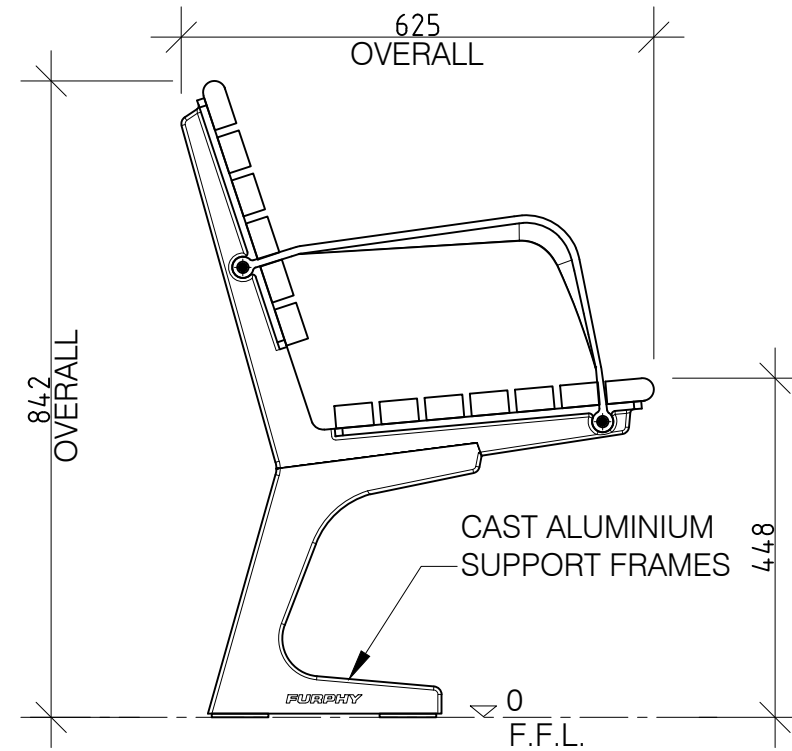
ALL DIMENSIONS IN MILLIMETRES - DO NOT SCALE

# FULCRUM RANGE

FFSA002027 1800mm SEAT - BOLT DOWN



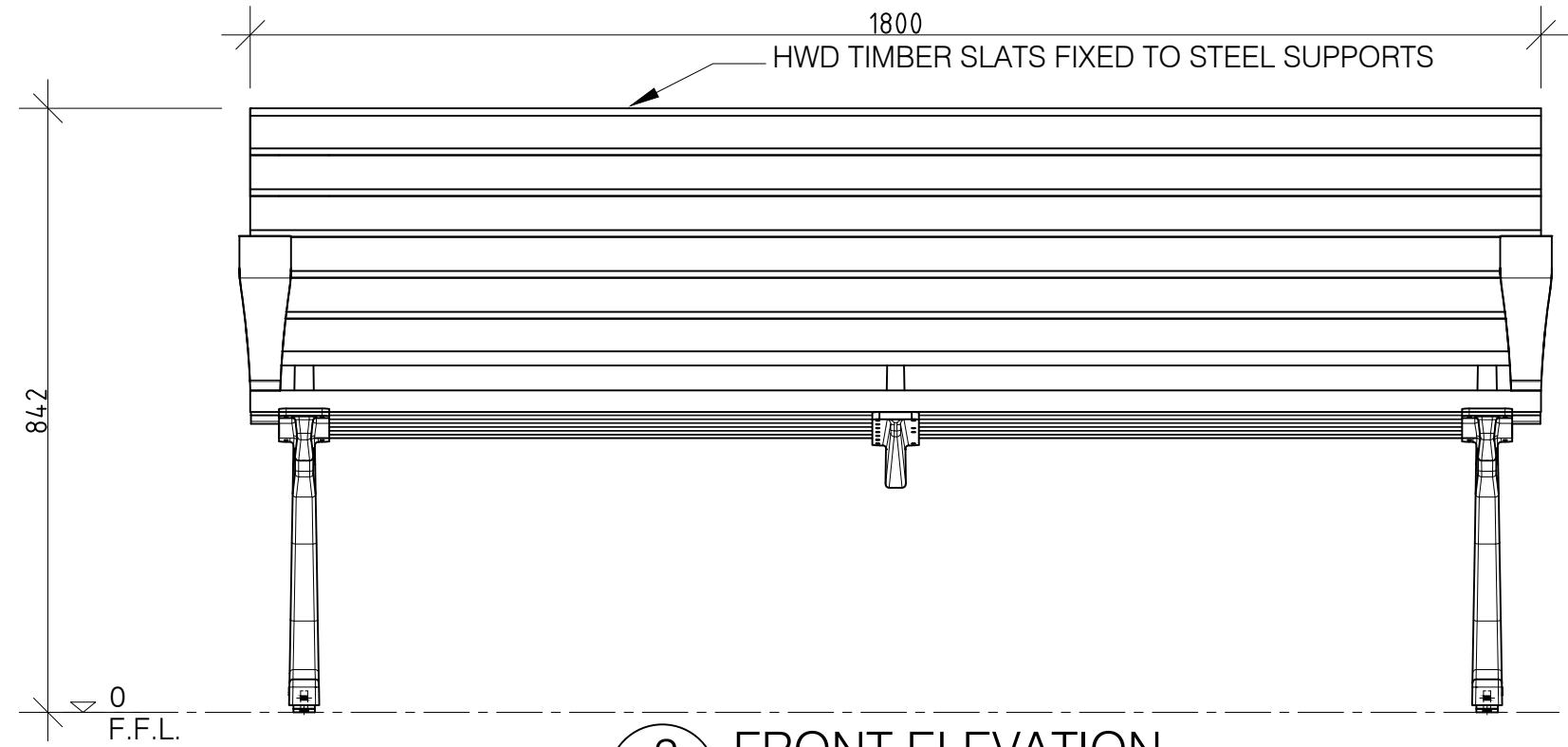
**1 PLAN**  
1:10 @ A3



**2 END ELEVATION**  
1:10 @ A3

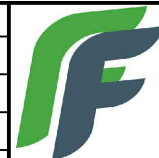


**4 PERSPECTIVE**  
N.T.S.



**3 FRONT ELEVATION**  
1:10 @ A3

REVISION	DATE:	DRAWN BY.	CLIENT NAME	PROJECT	DRAWING TITLE	PROJECT No.	PAGE
6			FURPHY FOUNDRY	FULCRUM SEAT - BOLT DOWN	PRELIMINARY	FFSA002027	A3
5						DATE:	DRAWN
4						07-11-19	PS
3						DRAWING No.	SCALE
2						040	NOTED
1						SHEET No.	REV.
						001	1



© FURPHY FOUNDRY PTY LTD  
THIS DOCUMENT IS AND SHALL REMAIN THE PROPERTY OF FURPHY FOUNDRY. UNAUTHORISED USE OF THIS DOCUMENT IN ANY FORM IS PROHIBITED.



Furphy Foundry Pty Ltd PH: (03) 5831 2777  
A.B.N. 24 007 195 913 FAX: (03) 5831 2681  
21 Drummond Rd, www.furphyfoundry.com.au  
Shepparton VIC 3630 sales@furphyfoundry.com.au

CLIENT NAME  
**FURPHY FOUNDRY**

PROJECT  
**FULCRUM SEAT - BOLT DOWN**

DRAWING TITLE  
**PRELIMINARY**

PROJECT No.  
**FFSA002027**

PAGE  
**A3**

DATE:  
**07-11-19**

DRAWN  
**PS**

DRAWING No.  
**040**

SCALE  
**NOTED**

SHEET No.  
**001**

REV.  
**1**