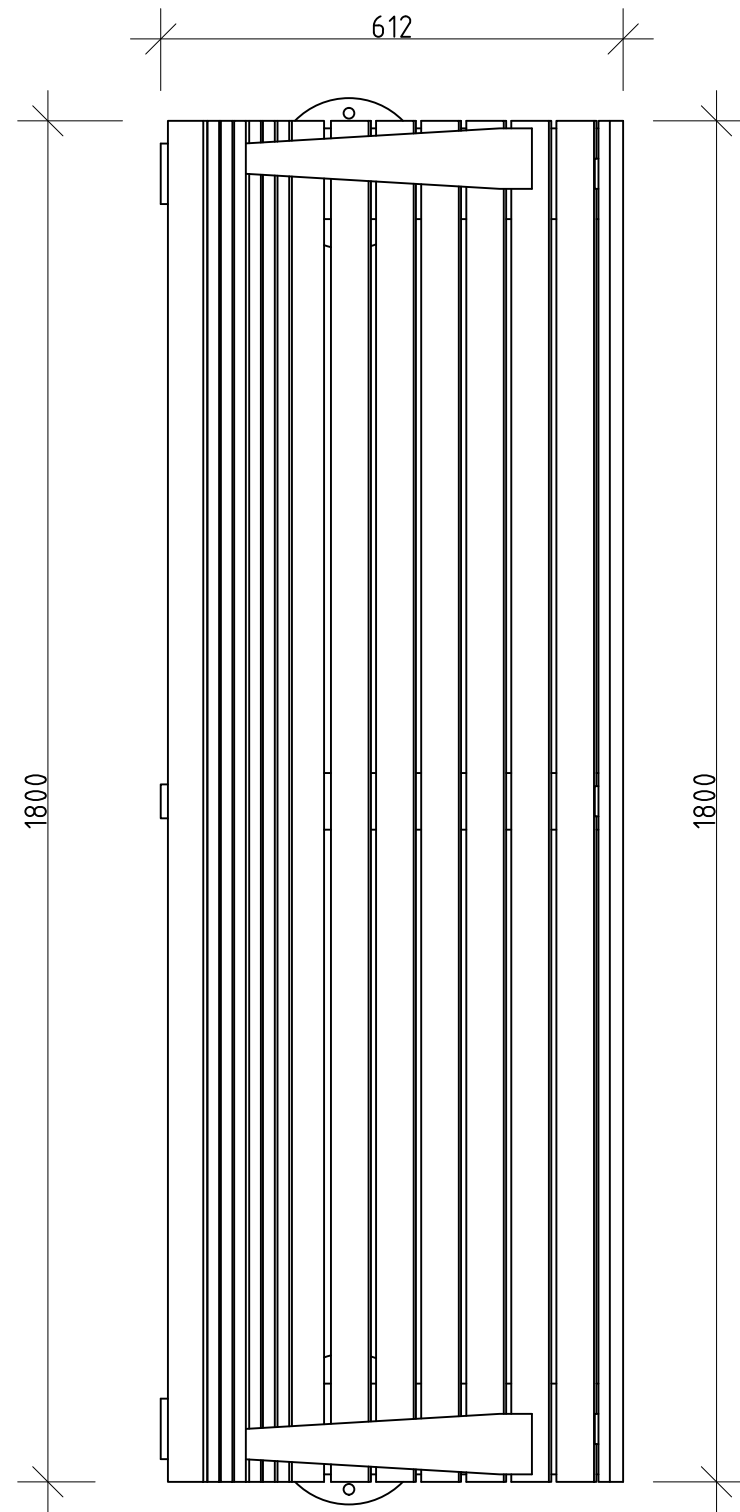


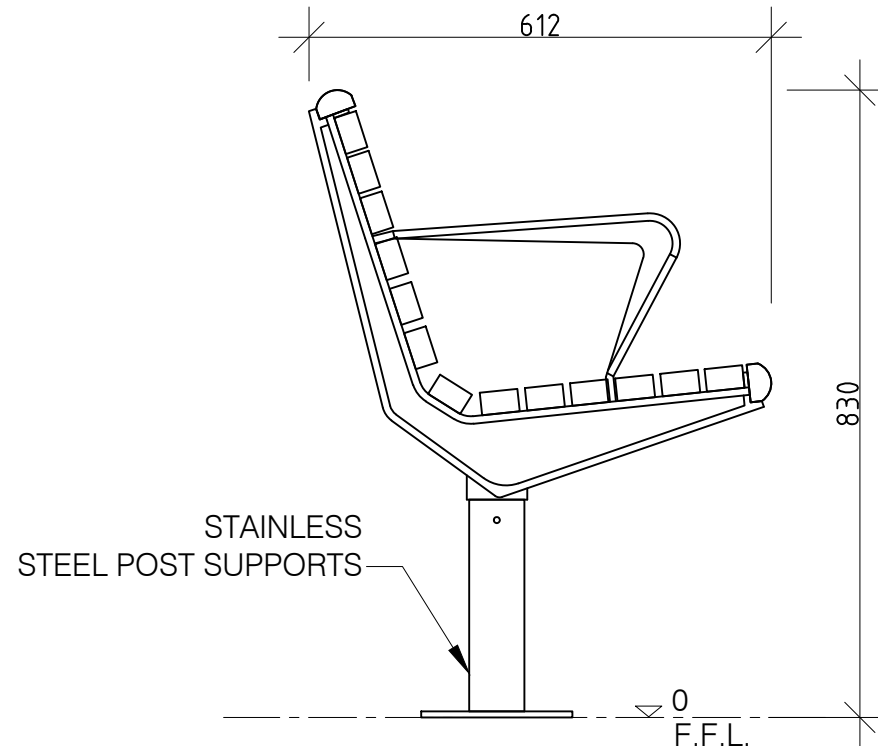
PROMENADE RANGE

FFSA002023 1800mm SEAT - BOLT DOWN

ALL DIMENSIONS IN MILLIMETRES - DO NOT SCALE



1 PLAN
1:10 @ A3

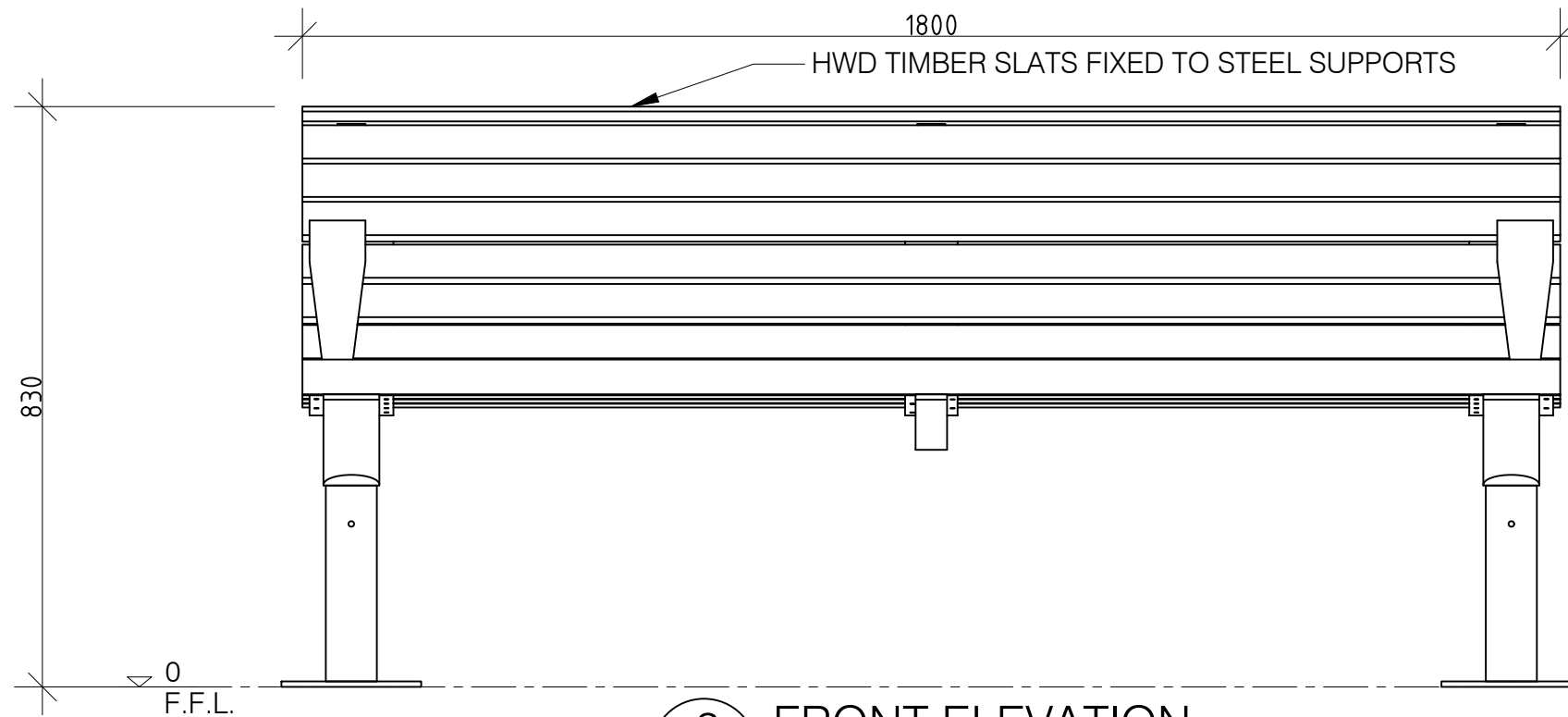


2 END ELEVATION
1:10 @ A3



Slats available in:
Hardwood Timber (FFSA002023)
Aluminium (FFSA002023A)

4 PERSPECTIVE
N.T.S.



3 FRONT ELEVATION
1:10 @ A3

REVISION	DATE:	DRAWN BY:
6		
5		
4		
3		
2		
1		



© FURPHY FOUNDRY PTY LTD
 THIS DOCUMENT IS AND SHALL REMAIN THE PROPERTY OF
 FURPHY FOUNDRY. UNAUTHORISED USE OF THIS DOCUMENT
 IN ANY FORM IS PROHIBITED.



Furphy Foundry Pty Ltd PH: (03) 5831 2777
 A.B.N. 24 007 195 913 FAX: (03) 5831 2681
 21 Drummond Rd, www.furphyfoundry.com.au
 Shepparton VIC 3630 sales@furphyfoundry.com.au

CLIENT NAME FURPHY FOUNDRY	PROJECT No. FFSA002023	PAGE A3
PROJECT PROMENADE SEAT - BOLT DOWN	DATE: 17-04-19	DRAWN PS
DRAWING TITLE PRELIMINARY	DRAWING No. 029	SCALE NOTED
	SHEET No. 001	REV. 1