



Quality
ISO 9001
SAI GLOBAL

SPECIFICATION:

MATERIALS:

Seat Ends - Recycled Cast aluminium
Timbers - Hardwood Timber
Straps - Grade 304 Stainless steel
Fixings - Grade 304 Stainless steel

DIMENSIONS:

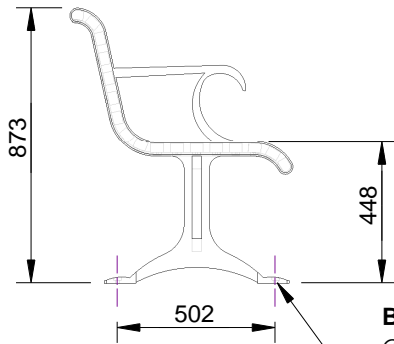
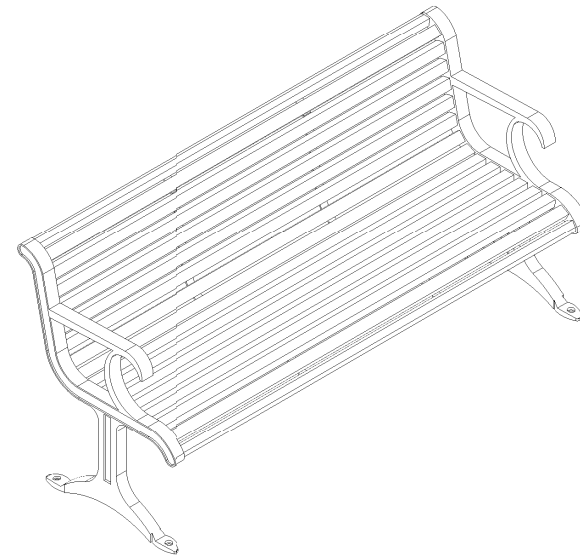
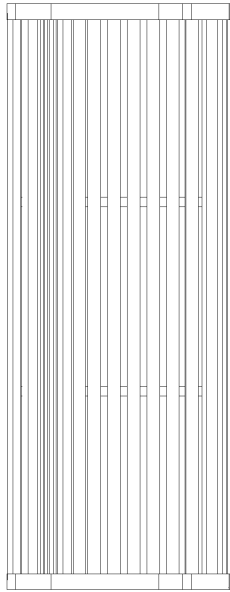
mm unless otherwise stated

FINISH:

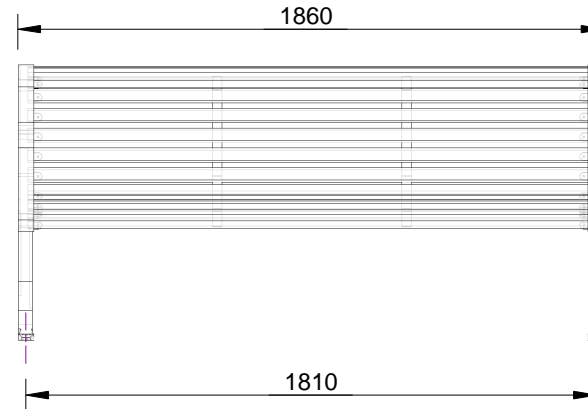
Castings - Powder Coat
Strap - Grade 304 Stainless steel
Timber - Oil Based

GROUND FIXING:

Bolt down



BOLT DOWN DETAIL
Ø14 THRU
Ø25 C.BORE
4 LOCATIONS



CONFIDENTIAL

REVISION	#	DESCRIPTION	BY	DATE	DRAWN	DRAWN DATE	CHECKED	CHECKED DATE	SCALE	A4
	1	ORIGINAL DRAWING	DN	9.12.10	R.CRIGTON	3.12.13			N/A	
2	FULL PRODUCT REVIEW	RBC	3.12.13							
3										
4										
5										

SOVEREIGN SEAT
SPEC.

FFSA002018

REV.
2

SHEET
1 OF 3