



Quality
ISO 9001
SAI GLOBAL

SPECIFICATION:

MATERIALS:

Seat Ends - Recycled Cast aluminium
Timbers - Hardwood Timber
Straps - Mild steel
Fixings - Grade 304 Stainless steel

DIMENSIONS:

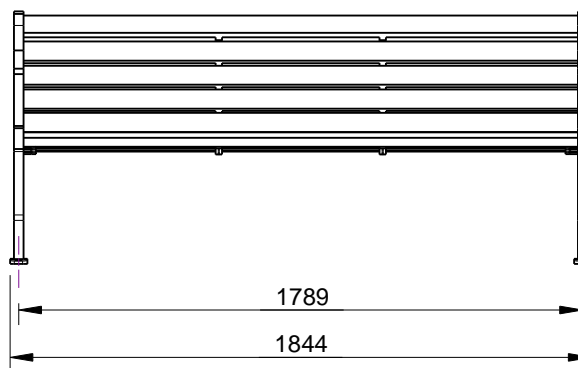
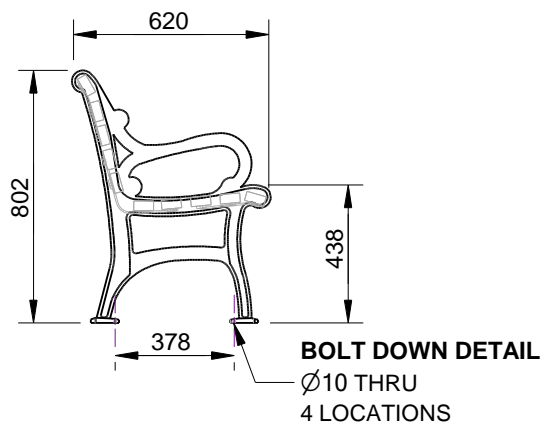
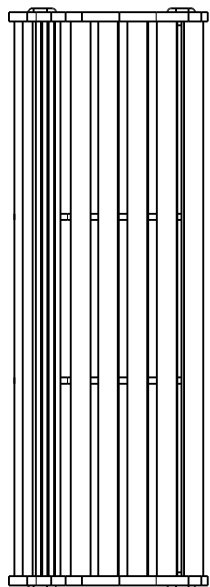
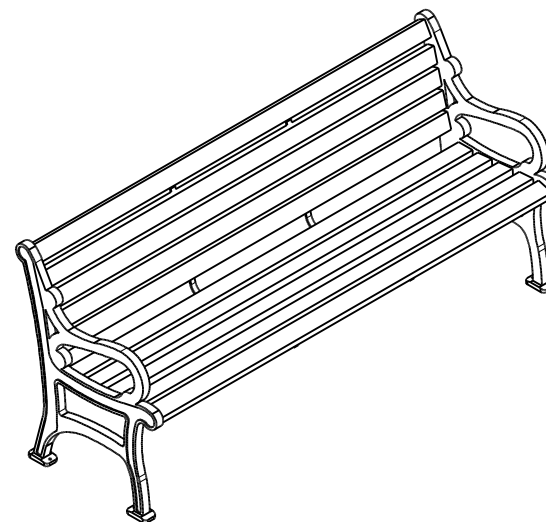
mm unless otherwise stated

FINISH:

Castings - Powder Coat
Strap - Powder Coat
Timber - Oil Based

GROUND FIXING:

Bolt down



© copyright
CONFIDENTIAL

REVISION	#	DESCRIPTION	BY	DATE	DRAWN	DRAWN DATE	CHECKED	CHECKED DATE	SCALE	A4
	1	ORIGINAL DRAWING	DN	1.11.10	R.CRIGTON	2.12.13			N/A	
2	FULL PRODUCT REVIEW	RBC	2.12.13							
3										
4										
5										
							PREMIER SEAT SPEC.			
							FFSA002013	REV. 2	SHEET 1 OF 3	