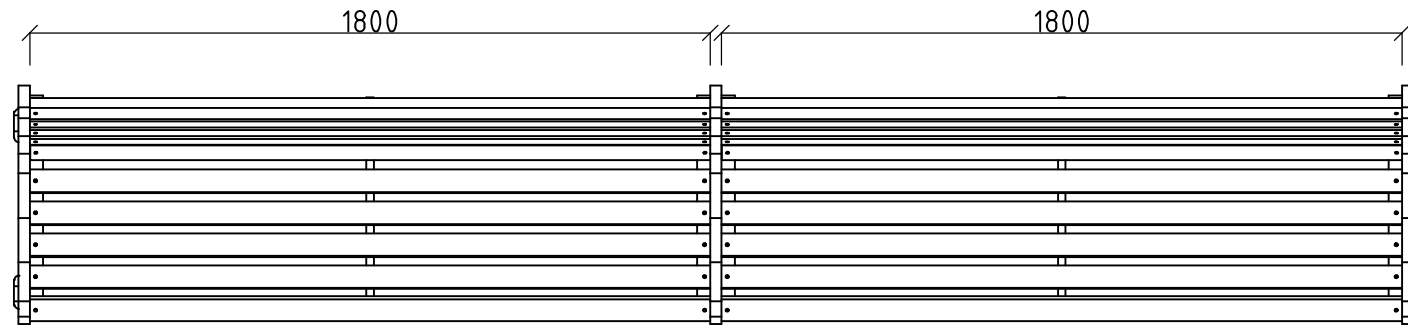


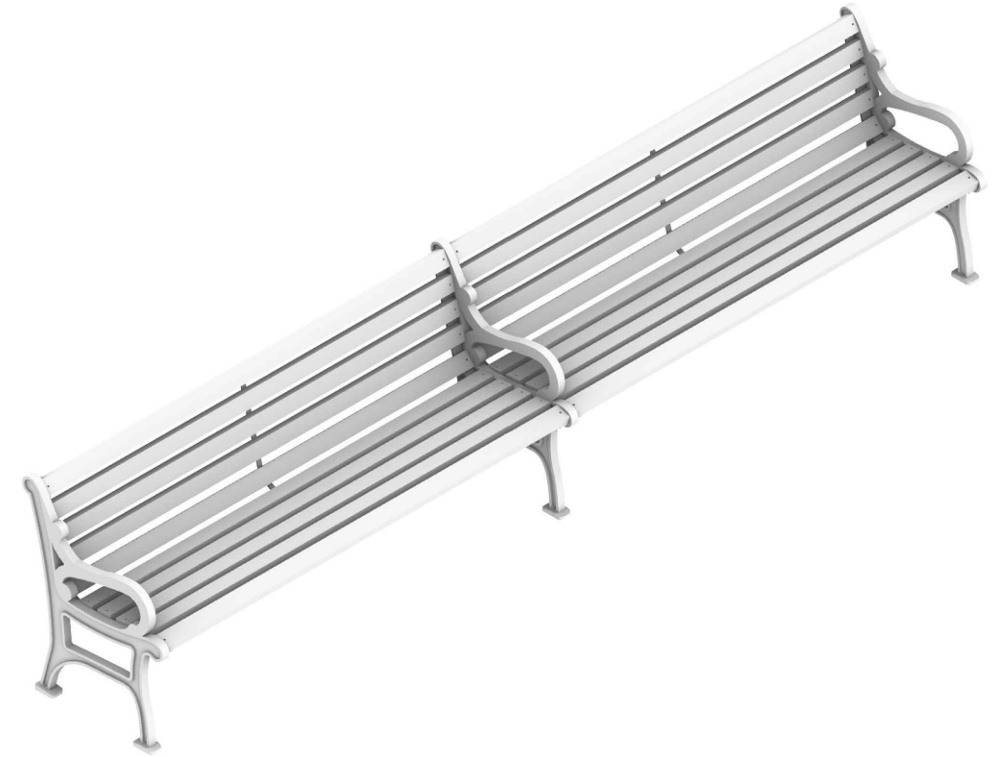
ALL DIMENSIONS IN MILLIMETRES - DO NOT SCALE

COUNCIL DOUBLE SEAT SERIES:

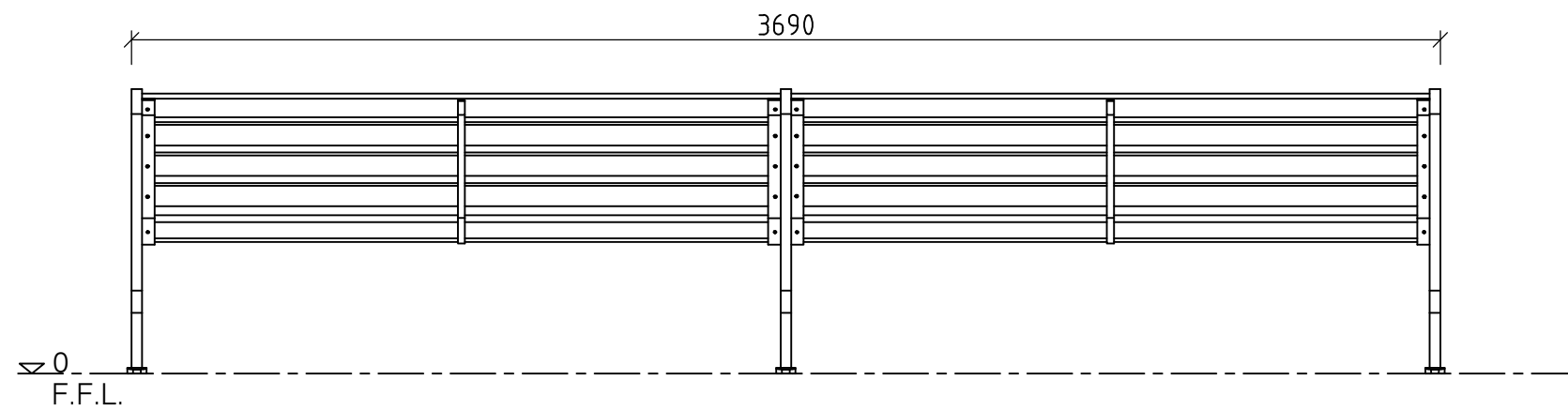
FFSA002005 3690mm DOUBLE SEAT



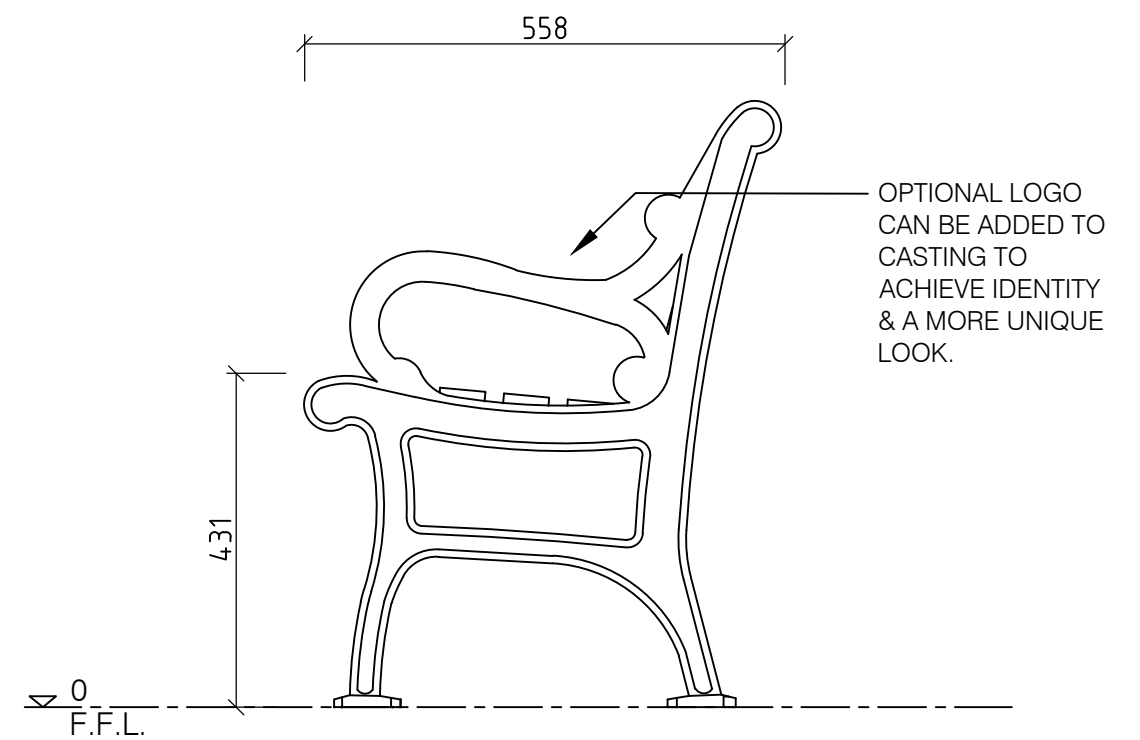
1 PLAN
1:20 @ A3



4 PERSPECTIVE
N.T.S.



2 BACK ELEVATION
1:20 @ A3



3 END ELEVATION
1:10 @ A3

REVISION	DATE:	DRAWN BY.		CLIENT NAME	PROJECT No.	PAGE
6			 © FURPHY FOUNDRY PTY LTD THIS DOCUMENT IS AND SHALL REMAIN THE PROPERTY OF FURPHY FOUNDRY. UNAUTHORISED USE OF THIS DOCUMENT IN ANY FORM IS PROHIBITED.	FURPHY FOUNDRY	FFSA002005	A3
5				PROJECT	DATE:	DRAWN
4				COUNCIL DOUBLE SEAT	05/03/2022	MN
3				-	DRAWING No.	SCALE
2					FFSA002005	NOTED
1					SHEET No.	REV.
				001	0	



Furphy Foundry Pty Ltd PH: (03) 5831 2777
 A.B.N. 24 007 195 913 FAX: (03) 5831 2681
 21 Drummond Rd, www.furphyfoundry.com.au
 Shepparton VIC 3630 sales@furphyfoundry.com.au

CLIENT NAME	PROJECT No.	PAGE
FURPHY FOUNDRY	FFSA002005	A3
PROJECT	DATE:	DRAWN
COUNCIL DOUBLE SEAT	05/03/2022	MN
-	DRAWING No.	SCALE
	FFSA002005	NOTED
DRAWING TITLE	SHEET No.	REV.
PRELIMINARY	001	0