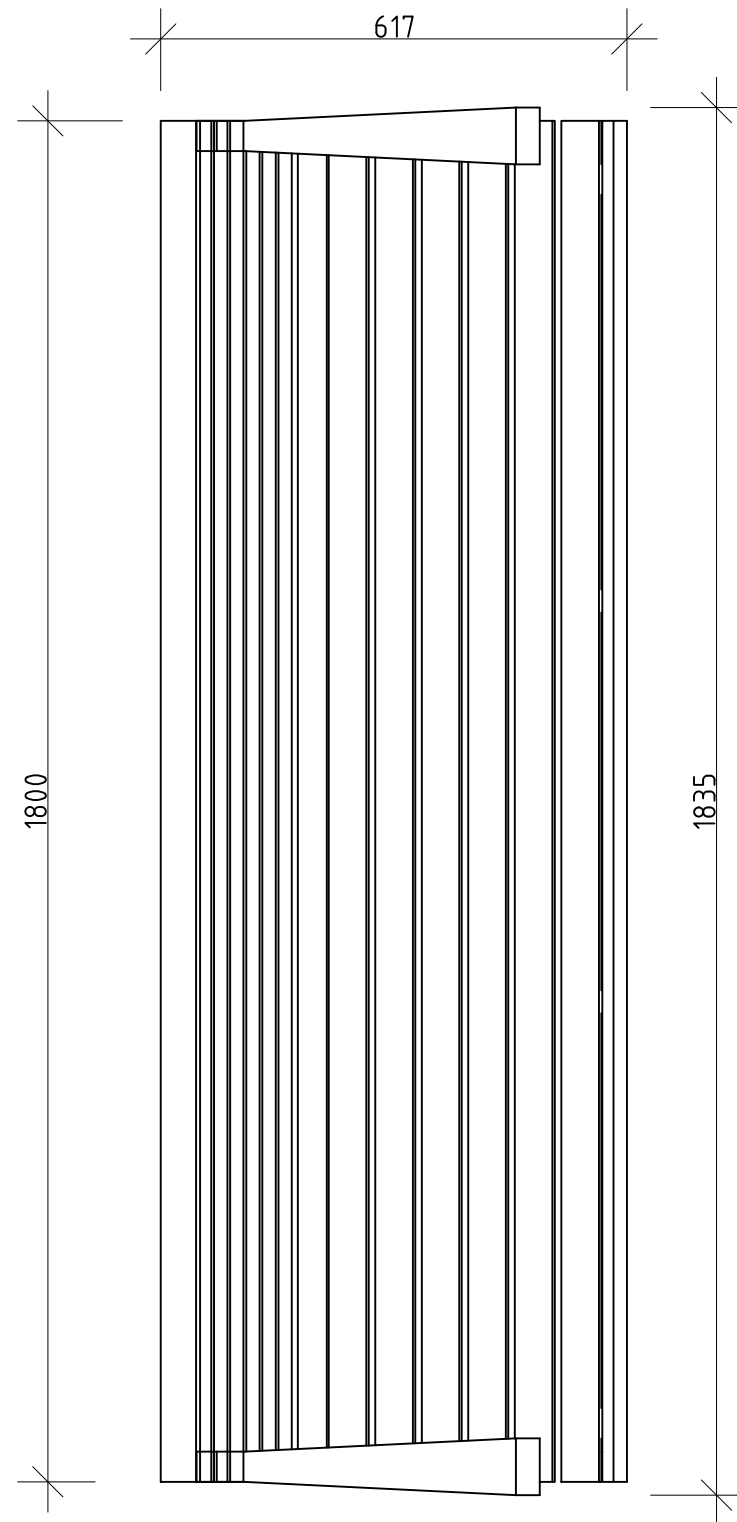


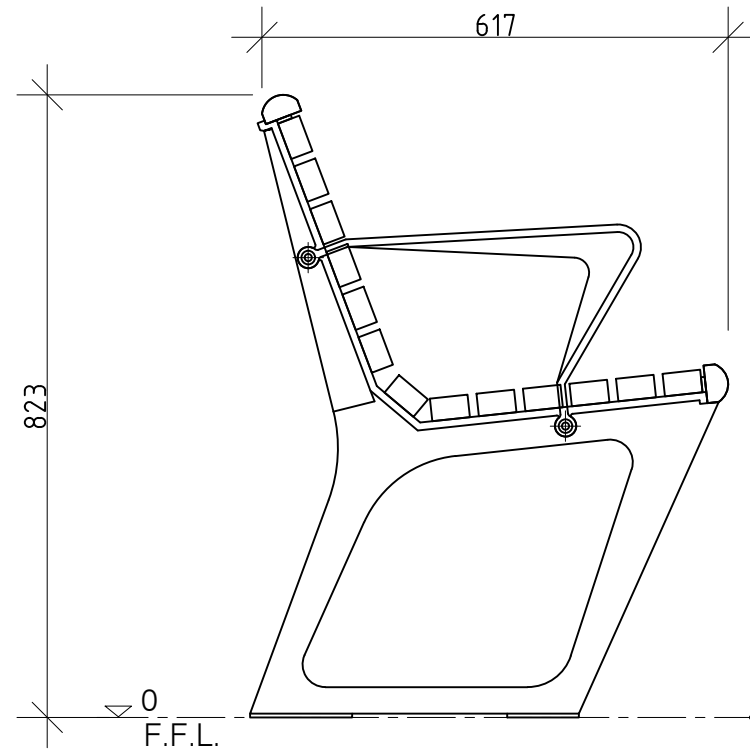
# METRO RANGE

FFSA002001 1800mm SEAT (BOLT DOWN)

ALL DIMENSIONS IN MILLIMETRES - DO NOT SCALE



**1** PLAN  
1:10 @ A3

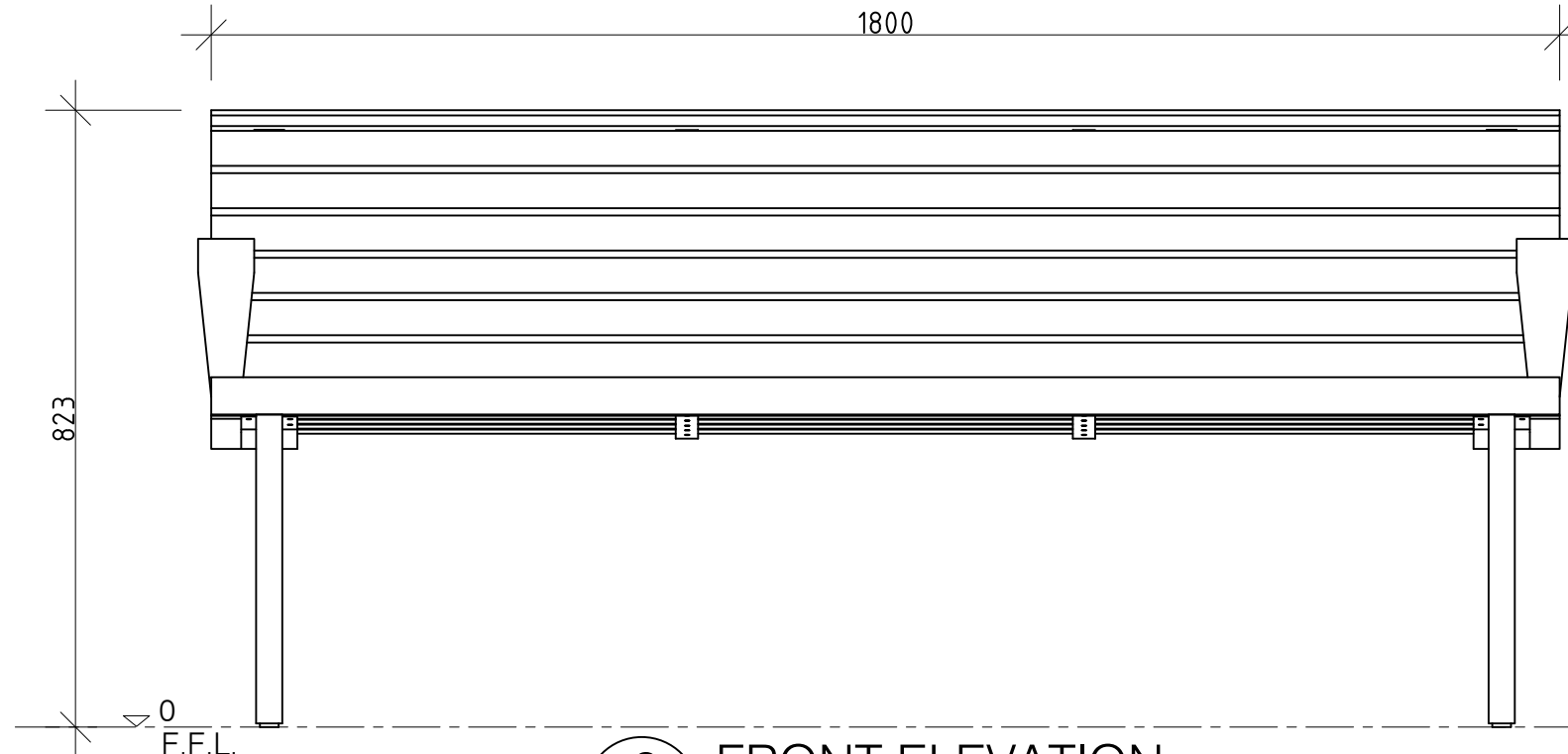


**2** END ELEVATION  
1:10 @ A3




Slats available in:  
Hardwood Timber (FFSA002001)  
Aluminium (FFSA002001A)

**4** PERSPECTIVE  
N.T.S.



**3** FRONT ELEVATION  
1:10 @ A3

REVISION	DATE:	DRAWN BY:
6		
5		
4		
3		
2		
1		



**FURPHY FOUNDRY PTY LTD**  
THIS DOCUMENT IS AND SHALL REMAIN THE PROPERTY OF FURPHY FOUNDRY. UNAUTHORISED USE OF THIS DOCUMENT IN ANY FORM IS PROHIBITED.



Furphy Foundry Pty Ltd  
A.B.N. 24 007 195 913  
21 Drummond Rd,  
Shepparton VIC 3630  
PH: (03) 5831 2777  
FAX: (03) 5831 2681  
www.furphyfoundry.com.au  
sales@furphyfoundry.com.au

CLIENT NAME <b>FURPHY FOUNDRY</b>	PROJECT No. <b>FFSA002001</b>	PAGE <b>A3</b>
PROJECT <b>METRO SEAT - BOLT DOWN</b>	DATE: <b>14-03-19</b>	DRAWN <b>PS</b>
DRAWING TITLE <b>PRELIMINARY</b>	DRAWING No. <b>020</b>	SCALE <b>NOTED</b>
	SHEET No. <b>001</b>	REV. <b>1</b>