

# FULCRUM RANGE

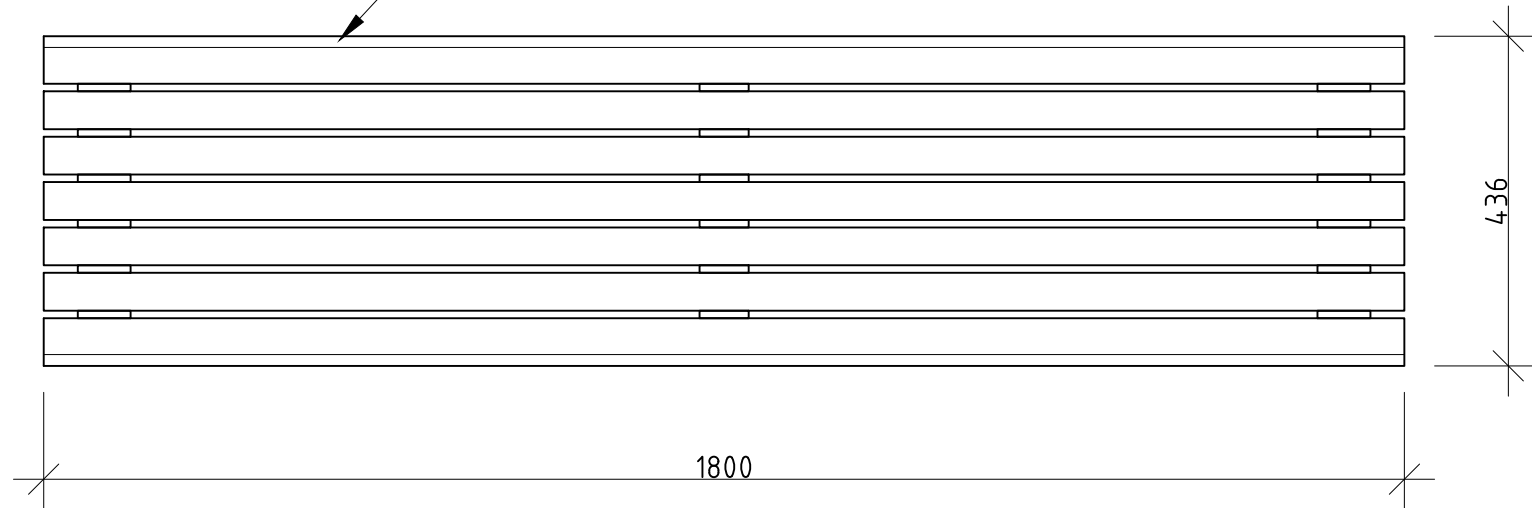
FFSA001017 1800mm BENCH - BOLT DOWN

ALL DIMENSIONS IN MILLIMETRES - DO NOT SCALE

Slats available in:  
**Hardwood Timber (FFSA001017)**  
**Aluminium (FFSA001017A)**

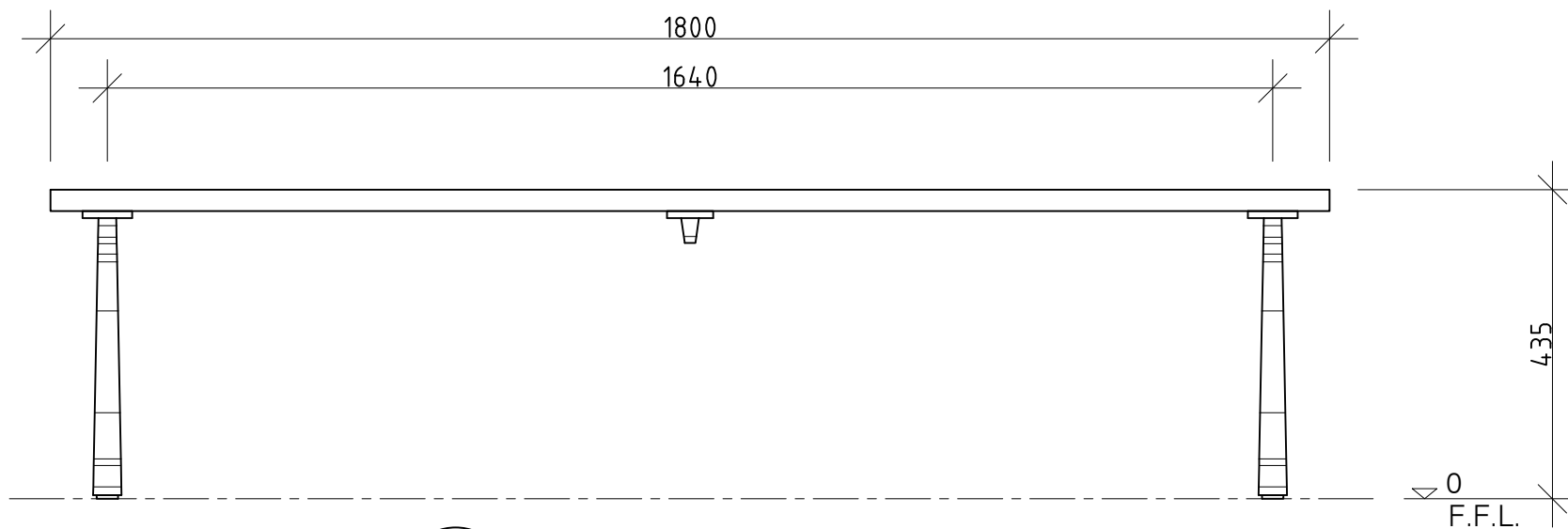


HWD TIMBER SLATS FIXED TO STEEL SUPPORTS

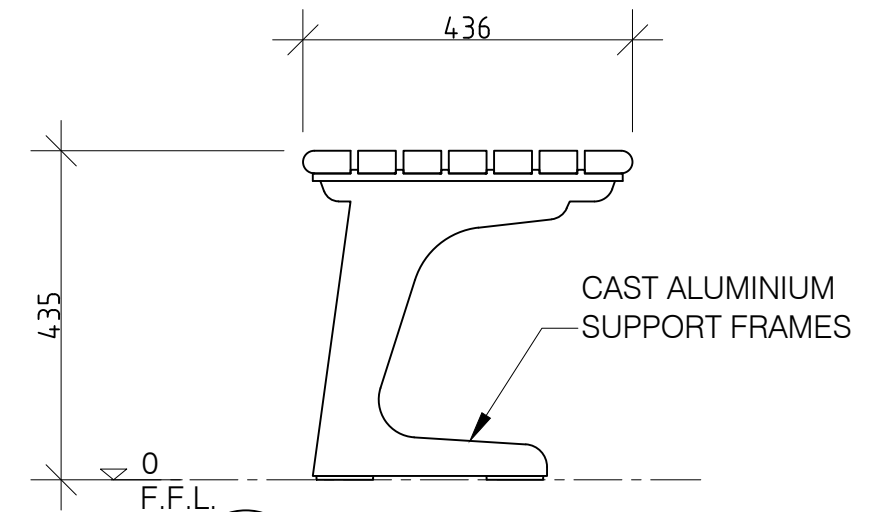


**1** PLAN  
1:10 @ A3

**4** PERSPECTIVE  
N.T.S.



**2** FRONT ELEVATION  
1:10 @ A3

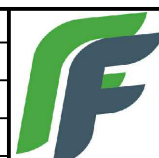


**3** END ELEVATION  
1:10 @ A3

CAST ALUMINIUM  
SUPPORT FRAMES

REVISION	DATE:	DRAWN BY:
6		
5		
4		
3		
2		
1		

DATE:	DRAWN BY:



**FURPHY FOUNDRY PTY LTD**  
 THIS DOCUMENT IS AND SHALL REMAIN THE PROPERTY OF  
 FURPHY FOUNDRY. UNAUTHORISED USE OF THIS DOCUMENT  
 IN ANY FORM IS PROHIBITED.



Furphy Foundry Pty Ltd PH: (03) 5831 2777  
 A.B.N. 24 007 195 913 FAX: (03) 5831 2681  
 21 Drummond Rd, www.furphyfoundry.com.au  
 Shepparton VIC 3630 sales@furphyfoundry.com.au

CLIENT NAME <b>FURPHY FOUNDRY</b>	PROJECT No. <b>FFSA001017</b>	PAGE <b>A3</b>
PROJECT <b>FULCRUM BENCH - BOLT DOWN</b>	DATE: <b>07-11-19</b>	DRAWN <b>PS</b>
DRAWING TITLE <b>PRELIMINARY</b>	DRAWING No. <b>039</b>	SCALE <b>NOTED</b>
	SHEET No. <b>001</b>	REV. <b>1</b>

PROJECT No. <b>FFSA001017</b>	PAGE <b>A3</b>
DATE: <b>07-11-19</b>	DRAWN <b>PS</b>
DRAWING No. <b>039</b>	SCALE <b>NOTED</b>
SHEET No. <b>001</b>	REV. <b>1</b>