

ALL DIMENSIONS IN MILLIMETRES - DO NOT SCALE

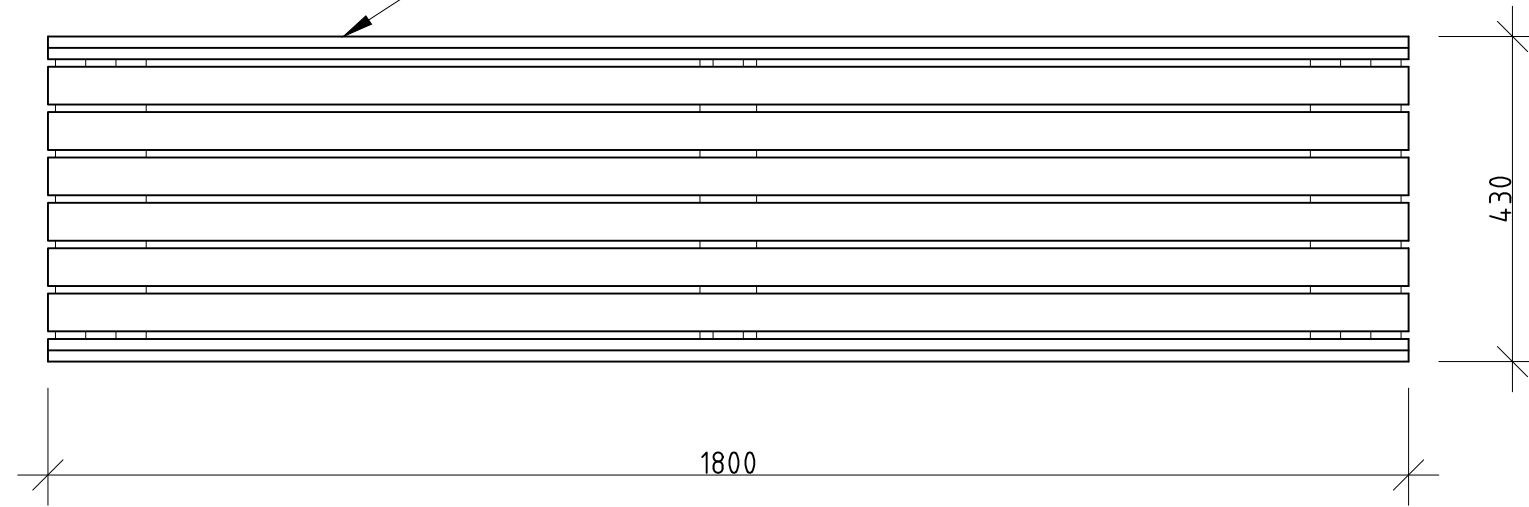
# PROMENADE RANGE

FFSA001013 1800mm BENCH - IN GROUND

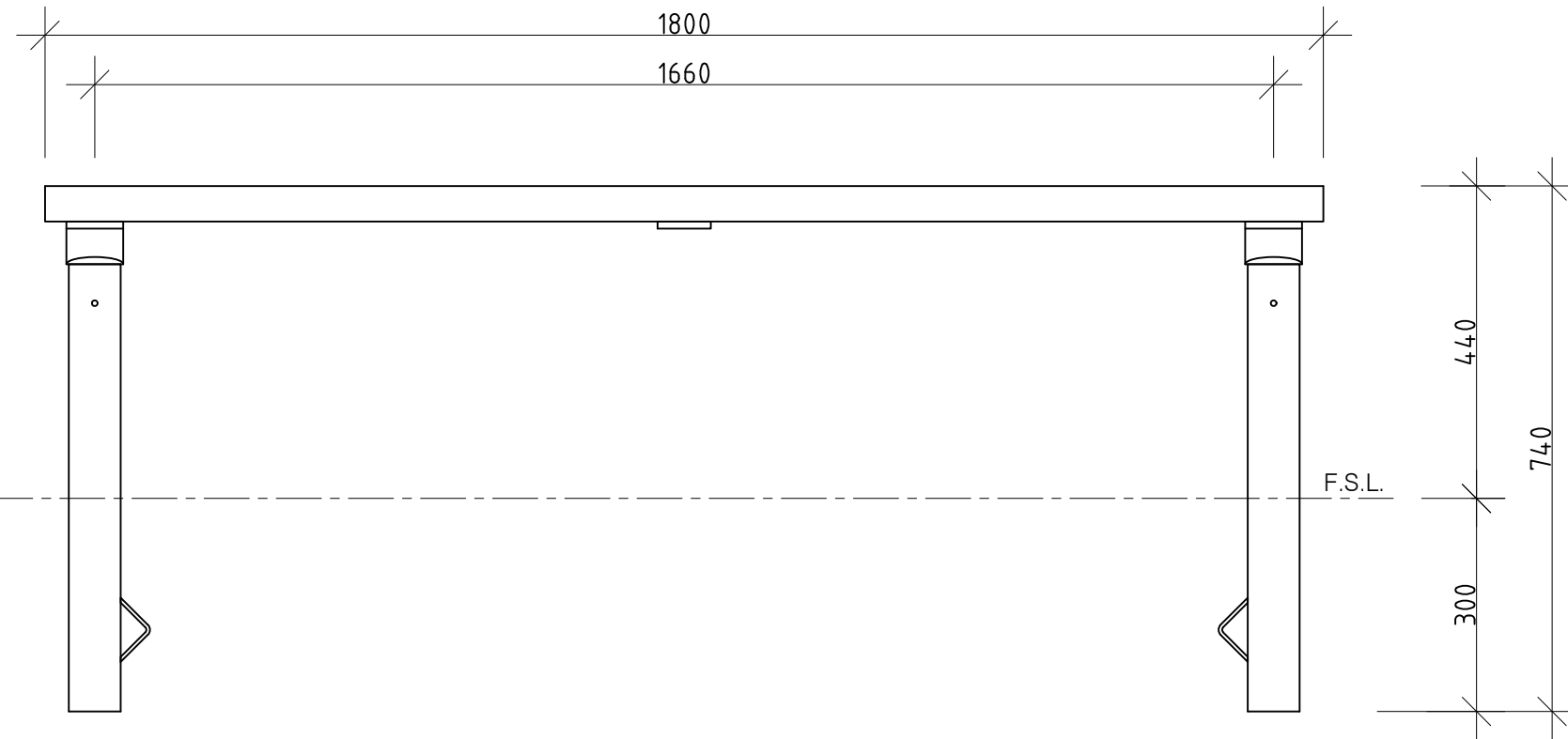
HWD TIMBER SLATS FIXED TO STEEL SUPPORTS



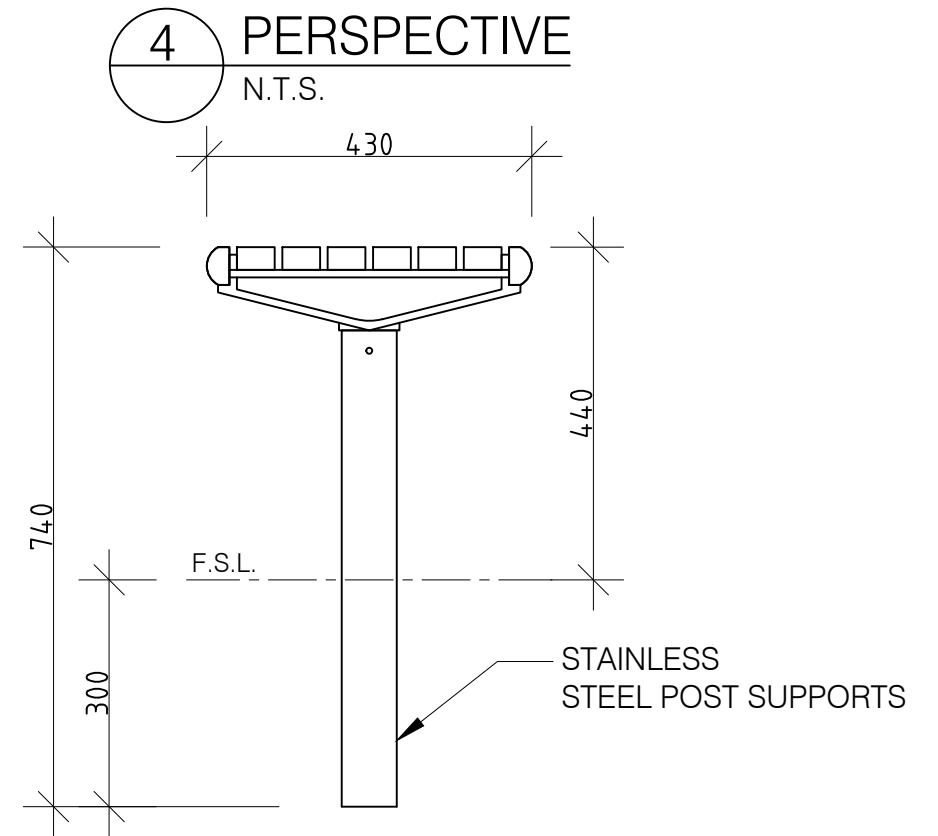
Slats available in:  
**Hardwood Timber (FFSA001013)**  
**Aluminium (FFSA001013A)**



**1 PLAN**  
1:10 @ A3



**2 FRONT ELEVATION**  
1:10 @ A3



**3 END ELEVATION**  
1:10 @ A3

**4 PERSPECTIVE**  
N.T.S.

REVISION	DATE:	DRAWN BY:
6		
5		
4		
3		
2		
1		



© FURPHY FOUNDRY PTY LTD  
 THIS DOCUMENT IS AND SHALL REMAIN THE PROPERTY OF FURPHY FOUNDRY. UNAUTHORISED USE OF THIS DOCUMENT IN ANY FORM IS PROHIBITED.



Furphy Foundry Pty Ltd  
 A.B.N. 24 007 195 913  
 21 Drummond Rd,  
 Shepparton VIC 3630  
 PH: (03) 5831 2777  
 FAX: (03) 5831 2681  
 www.furphyfoundry.com.au  
 sales@furphyfoundry.com.au

CLIENT NAME <b>FURPHY FOUNDRY</b>	PROJECT No. <b>FFSA001013</b>	PAGE <b>A3</b>
PROJECT <b>PROMENADE BENCH - IN GROUND</b>	DATE: <b>17-04-19</b>	DRAWN <b>PS</b>
DRAWING TITLE <b>PRELIMINARY</b>	DRAWING No. <b>028</b>	SCALE <b>NOTED</b>
	SHEET No. <b>001</b>	REV. <b>1</b>