

# SPECIFICATION:

## MATERIAL:

Bench Ends & Centre Support - Recycled Cast Aluminium  
 Legs - Stainless Steel  
 Timber Slats - Hardwood Timber  
 Fixings - Stainless Steel

## DIMENSIONS:

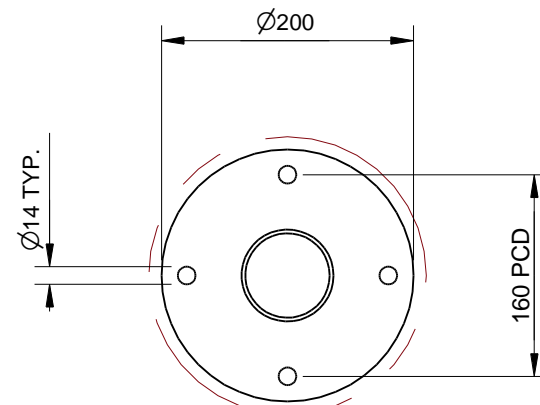
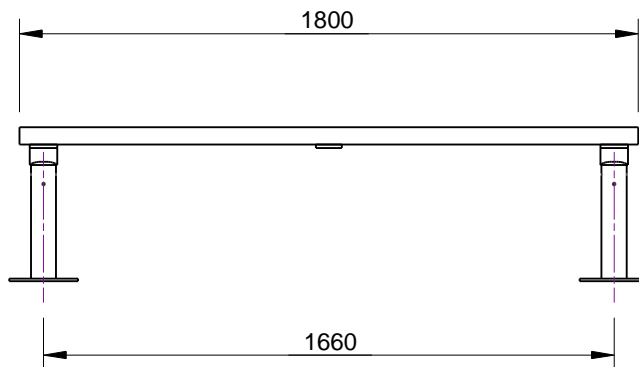
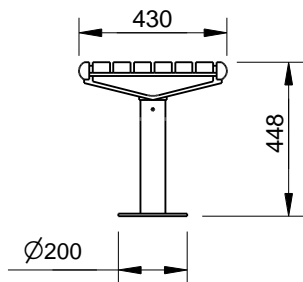
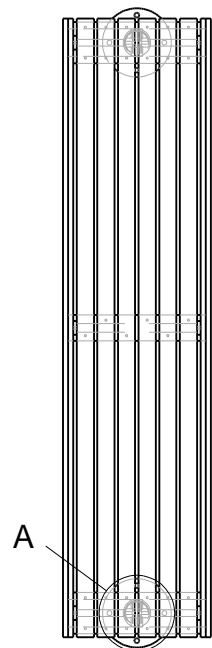
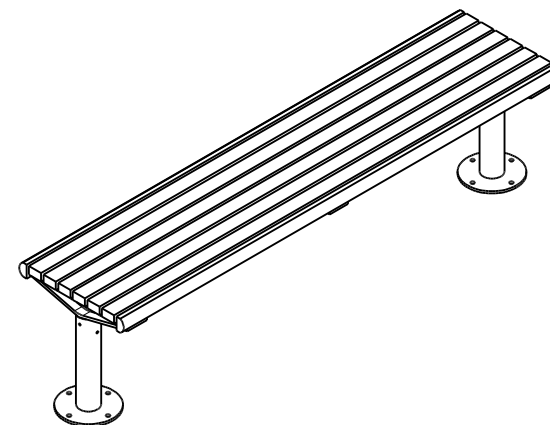
mm unless otherwise stated

## FINISH:

Castings - Mill Finish  
 Timber - Oil Based

## GROUND FIXING:

Bolt down



Detail A  
 BOLT DOWN DETAIL  
 TIMBERS & CASTING  
 HIDDEN FOR CLARRITY

© copyright  
 CONFIDENTIAL

REVISION #	DESCRIPTION	BY	DATE	DRAWN	DRAWN DATE	CHECKED	CHECKED DATE	SCALE	
								A4	
1	ORIGINAL DRAWING	DN	30.7.10	R.CRIGTON	28.11.13			N/A	
2	FULL PRODUCT REVIEW	RBC	28.11.13					PROMENADE BENCH - BOLT DOWN SPEC.	
3									
4									
5									
							FFSA001012	REV. 2	SHEET 1 OF 4