



Quality
ISO 9001
SAI GLOBAL

SPECIFICATION:

MATERIALS:

Bench Ends - Recycled Cast aluminium
Timbers - Hardwood Timber
Straps - Grade 304 Stainless steel
Fixings - Grade 304 Stainless steel

DIMENSIONS:

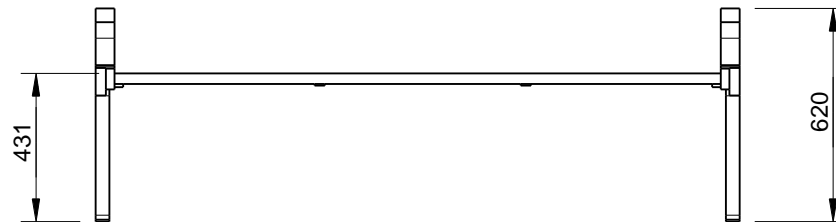
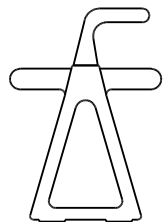
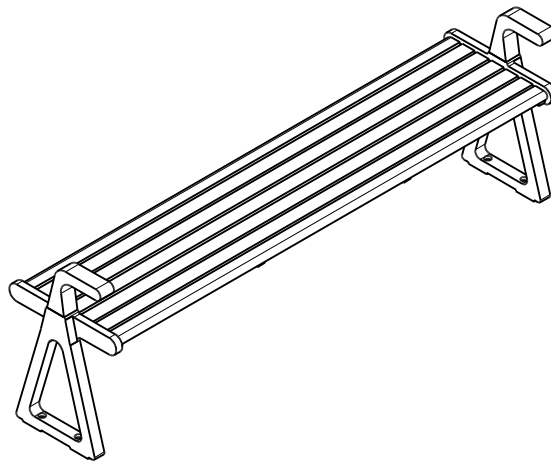
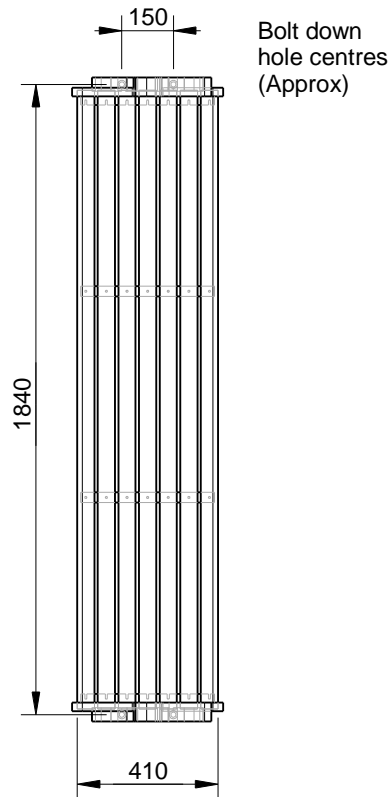
mm unless otherwise stated

FINISH:

Castings - Mill Finish or Optional Powder Coat
Timber - Oil Based

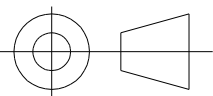
ATTACHMENT:

Bolt down



CONFIDENTIAL

| REVISION # | DESCRIPTION | BY | DATE | DRAWN | DRAWN DATE | CHECKED | CHECKED DATE | SCALE | A4 |
|------------|---------------------|-----|----------|-----------|------------|---------|--------------|-------|----|
| | | | | | | | | N/A | |
| 1 | ORIGINAL DRAWING | DN | 22.10.10 | R.CRIGTON | 26.6.14 | | | | |
| 2 | FULL PRODUCT REVIEW | RBC | 26.6.14 | | | | | | |
| 3 | | | | | | | | | |
| 4 | | | | | | | | | |
| 5 | | | | | | | | | |



DELTA BENCH (ARM RESTS)
SPEC.

FFSA001003

REV.
2

SHEET
1 OF 3