



Quality
ISO 9001
SAI GLOBAL

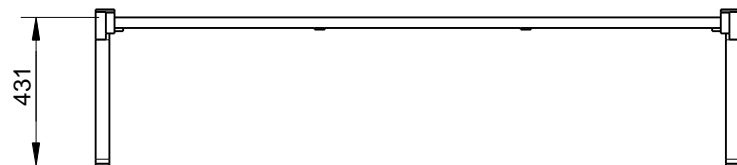
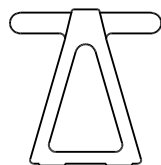
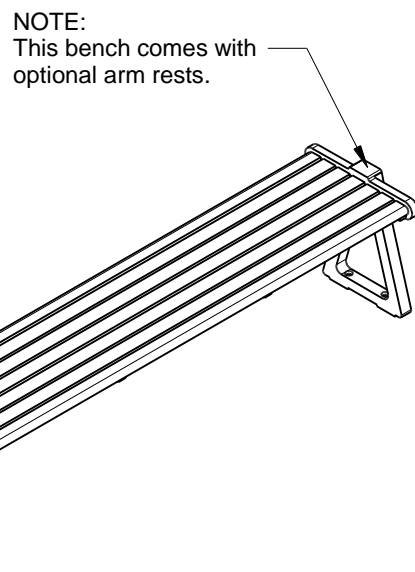
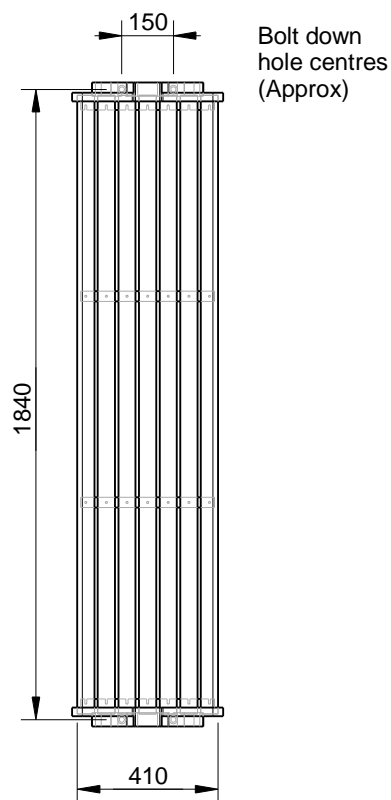
SPECIFICATION:

MATERIALS:
 Bench Ends - Recycled Cast aluminium
 Timbers - Hardwood Timber
 Straps - Grade 304 Stainless steel
 Fixings - Grade 304 Stainless steel

DIMENSIONS:
 mm unless otherwise stated

FINISH:
 Castings - Mill Finish or Optional Powder Coat
 Timber - Oil Based

ATTACHMENT:
 Bolt down



CONFIDENTIAL

REVISION #	DESCRIPTION	BY	DATE	DRAWN	DRAWN DATE	CHECKED	CHECKED DATE	SCALE		A4
								N/A		
1	ORIGINAL DRAWING	DN	22.10.10	R.CRIGTON	26.6.14			DELTA BENCH SPEC.		
2	FULL PRODUCT REVIEW	RBC	26.6.14					DELTA BENCH SPEC.		
3								DELTA BENCH SPEC.		
4								DELTA BENCH SPEC.		
5								DELTA BENCH SPEC.		
								FFSA001002	REV. 2	SHEET 1 OF 3

