

ALL DIMENSIONS IN MILLIMETRES - DO NOT SCALE

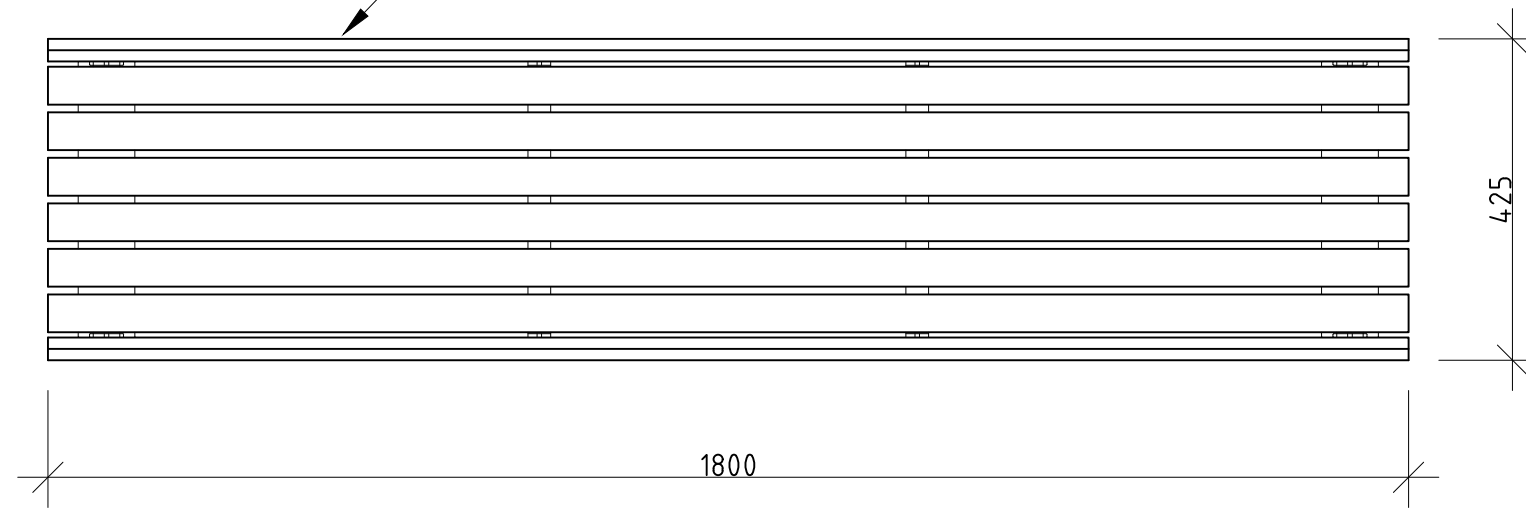
METRO RANGE

FFSA001001 1800mm BENCH (BOLT DOWN)

Slats available in:
Hardwood Timber (FFSA001001)
Aluminium (FFSA001001A)

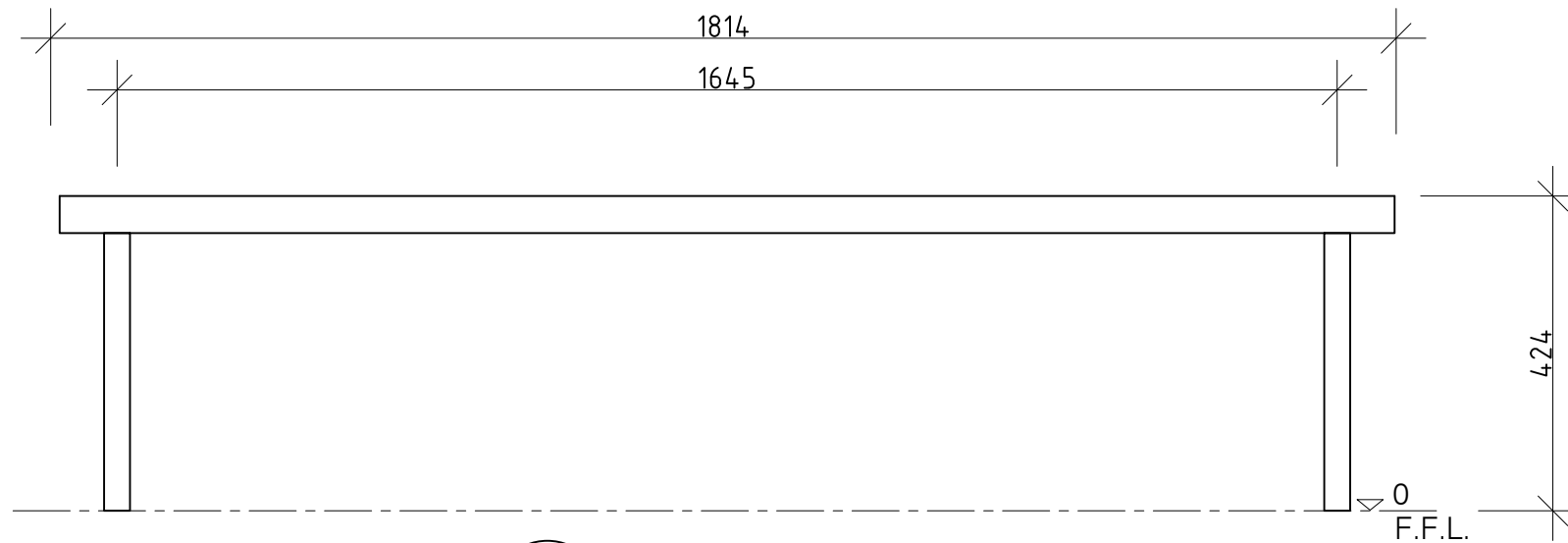


HWD TIMBER SLATS FOR BENCH FIXED TO STEEL SUPPORTS

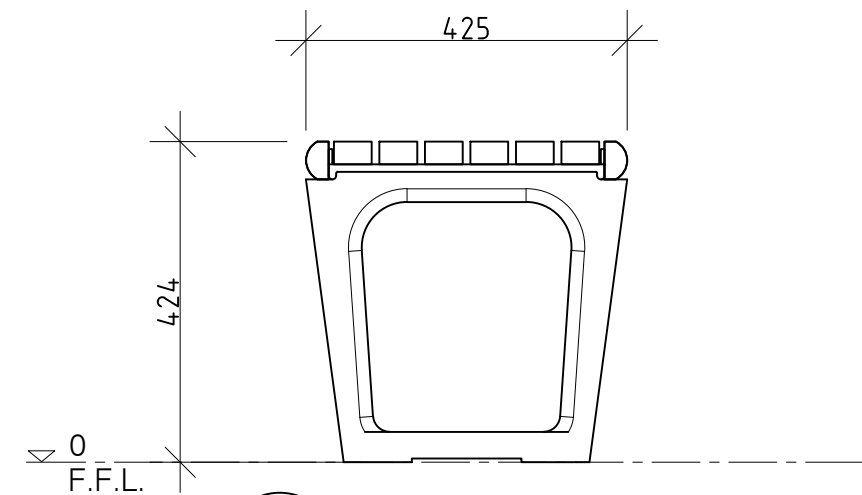


1 PLAN
1:10 @ A3

4 PERSPECTIVE
N.T.S.



2 FRONT ELEVATION
1:10 @ A3



3 END ELEVATION
1:10 @ A3

REVISION	DATE:	DRAWN BY:		CLIENT NAME	PROJECT	PROJECT No.	PAGE
6			 FURPHY FOUNDRY EST. 1864 © FURPHY FOUNDRY PTY LTD THIS DOCUMENT IS AND SHALL REMAIN THE PROPERTY OF FURPHY FOUNDRY. UNAUTHORISED USE OF THIS DOCUMENT IN ANY FORM IS PROHIBITED.	FURPHY FOUNDRY	METRO BENCH - BOLT DOWN	FFSA001001	A3
5						DATE:	DRAWN
4						14-03-19	PS
3						DRAWING No.	SCALE
2						019	NOTED
1						SHEET No.	REV.
					001	1	

Furphy Foundry Pty Ltd
 A.B.N. 24 007 195 913
 21 Drummond Rd,
 Shepparton VIC 3630
 PH: (03) 5831 2777
 FAX: (03) 5831 2681
 www.furphyfoundry.com.au
 sales@furphyfoundry.com.au

DRAWING TITLE
PRELIMINARY