

SQUARELINE TREE GUARD SERIES:

FFSB007005 595mm X 595mm - BOLT DOWN

ALL DIMENSIONS IN MILLIMETRES - DO NOT SCALE

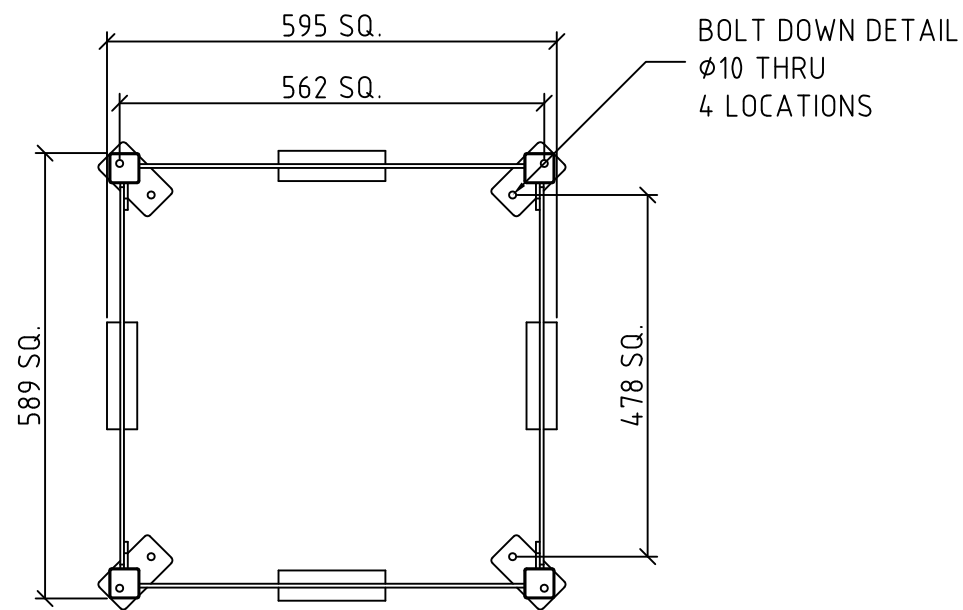
SPECIFICATION:

Material:
Frame & Slats: Mild Steel Construction

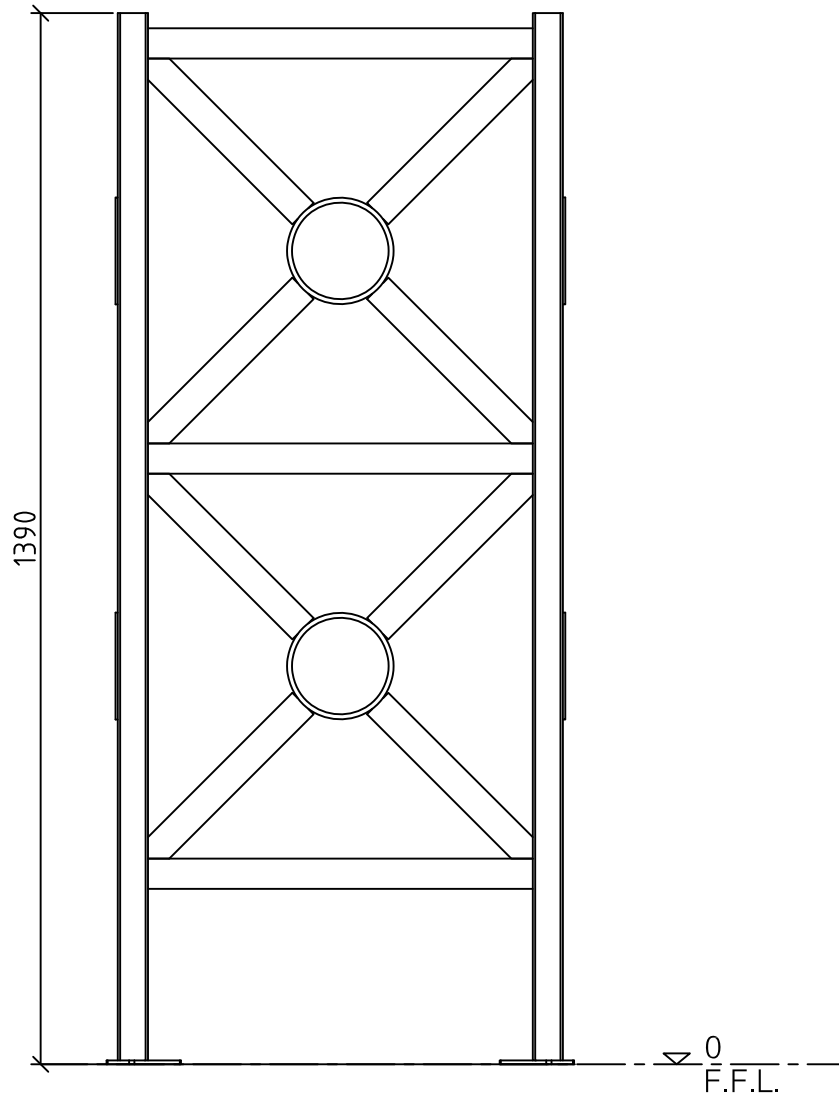
Dimensions:
All in mm unless otherwise stated

Finish:
Steel - Electrodeposition Coated & Powder Coat Finish

Ground Fixings:
Bolt Down



1 PLAN
1:10 @ A3



2 FRONT ELEVATION
1:10 @ A3



3 PERSPECTIVE
N.T.S.

REVISION	DATE:	DRAWN BY.	CLIENT NAME	PROJECT	DRAWING TITLE	PROJECT No.	PAGE
6	-	-	FURPHY FOUNDRY EST. 1864	SQUARELINE TREE GUARD - BOLT DOWN	PRELIMINARY	FFSB007005	A3
5	-	-				DATE:	DRAWN
4	-	-				26/06/2023	JHE
3	-	-				DRAWING No.	SCALE
2	-	-				FFSB007005	NOTED
1	18.03.26	JAR				SHEET No.	REV.
COATING AMENDED FROM GALVANISED TO ELECTRODEPOSITION COATED			001	1			



© FURPHY FOUNDRY PTY LTD
THIS DOCUMENT IS AND SHALL REMAIN THE PROPERTY OF
FURPHY FOUNDRY. UNAUTHORISED USE OF THIS DOCUMENT
IN ANY FORM IS PROHIBITED.

Furphy Foundry Pty Ltd PH: (03) 5831 2777
A.B.N. 24 007 195 913 FAX: (03) 5831 2681
21 Drummond Rd, www.furphyfoundry.com.au
Shepparton VIC 3630 sales@furphyfoundry.com.au

CLIENT NAME	FURPHY FOUNDRY
PROJECT	SQUARELINE TREE GUARD - BOLT DOWN
DRAWING TITLE	PRELIMINARY
PROJECT No.	FFSB007005
PAGE	A3
DATE:	26/06/2023
DRAWN	JHE
DRAWING No.	FFSB007005
SCALE	NOTED
SHEET No.	001
REV.	1