

SPECIFICATION:

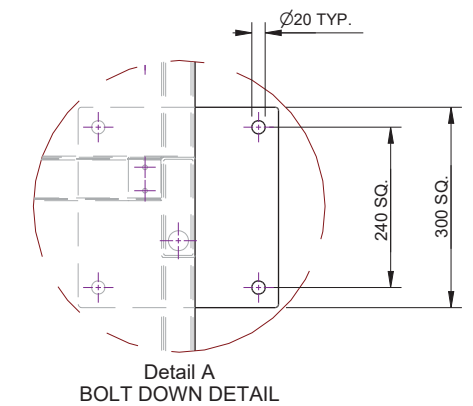
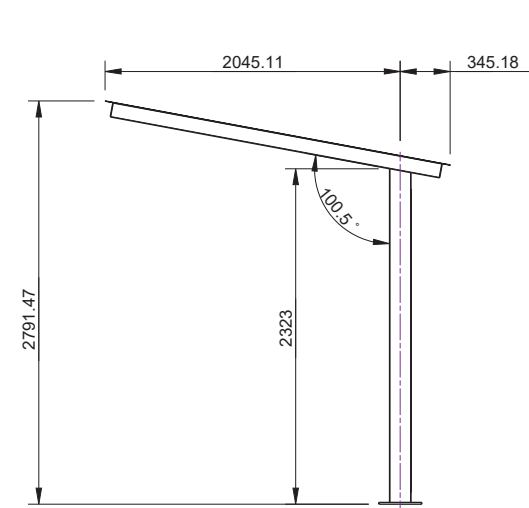
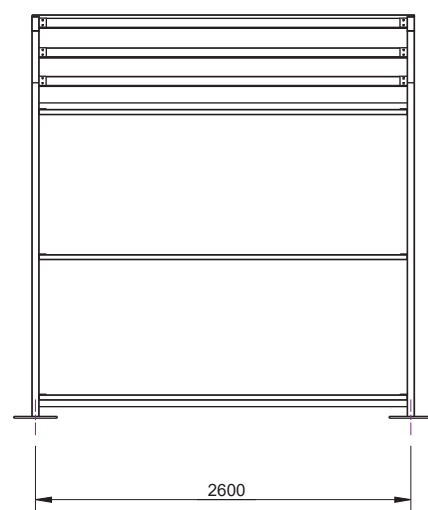
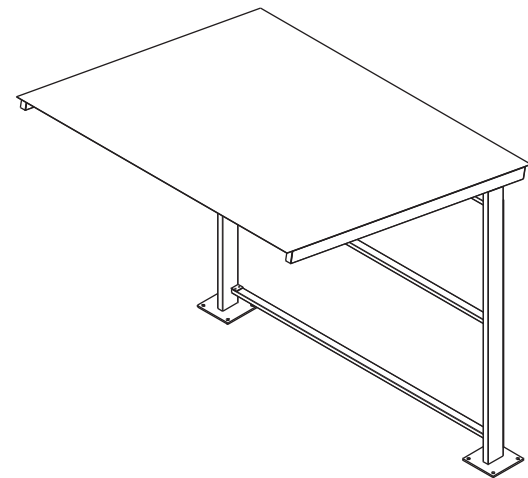
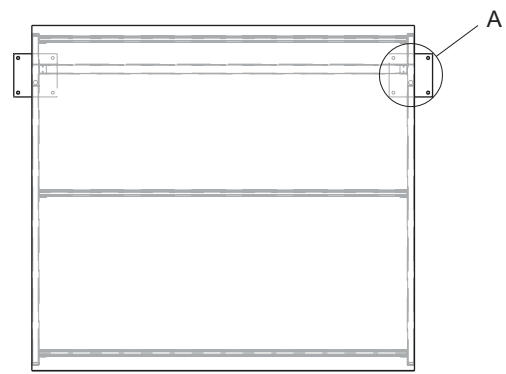
MATERIAL:
Main construction - Mild Steel
Sheeting - Colourbond Corrugated BMT 0.42mm 762mm

DIMENSIONS:
mm unless otherwise stated

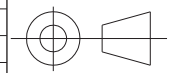
FINISH:
Steel - Galvanised - Colourbond (optional colours)

GROUND ATTACHEMENT:
Bolt down

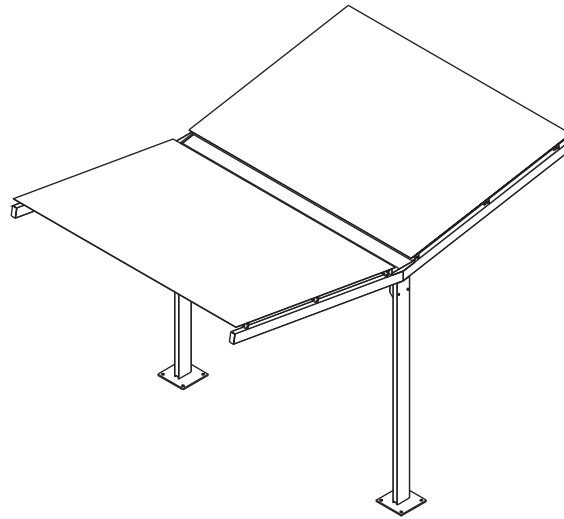
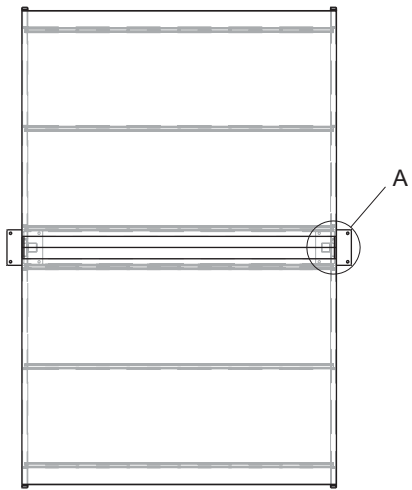
STRUCTURAL ENGINEERING:
Job No. 090313 - GC Nixon & Associates
Drawing No. S2 Rev A, Dated 17-06-09



REVISION #	DESCRIPTION	BY	DATE	DRAWN	DRAWN DATE	CHECKED	CHECKED DATE	SCALE	A3
1	ORIGINAL DRAWING	SJ	14.2.11	R.CRIGTON	11.2.14			N/A	
2	FULL PRODUCT REVIEW	RBC	11.2.14						
3									
4									
5									



CANTILEVER SHELTER 2600mm CENTRES SPEC.
FFSB005001
REV. 2
SHEET 1 OF 3



SPECIFICATION:

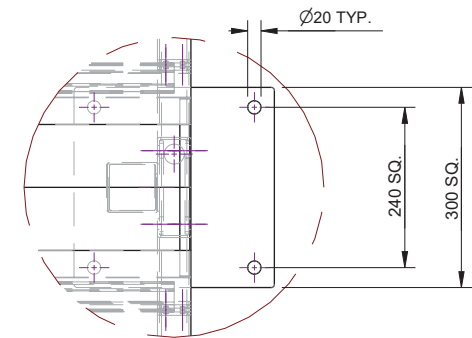
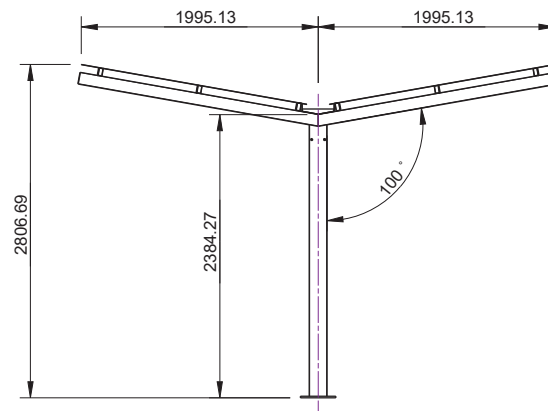
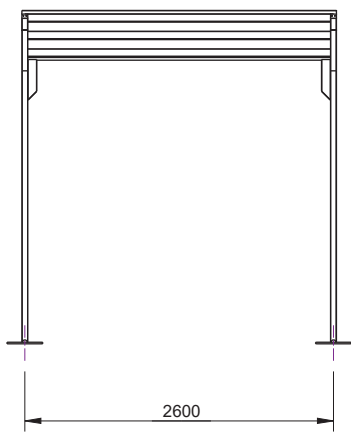
MATERIAL:
Main construction - Mild Steel
Sheeting - Colourbond Corrugated BMT 0.42mm 762mm

DIMENSIONS:
mm unless otherwise stated

FINISH:
Steel - Galvanised - Colourbond (optional colours)

GROUND ATTACHEMENT:
Bolt down

STRUCTURAL ENGINEERING:
Job No. 100511 - GC Nixon & Associates



Detail A
BOLT DOWN DETAIL

REVISION #	DESCRIPTION	BY	DATE	DRAWN	DRAWN DATE	CHECKED	CHECKED DATE	SCALE	A3
1	ORIGINAL DRAWING	SJ	7.7.10	R.CRIGTON	13.2.14			N/A	
2	FULL PRODUCT REVIEW	RBC	13.2.14						
3									
4									
5									

DUAL CANTILEVER SHELTER 2600mm CENTRES SPEC.

FFSB005006

REV. 2

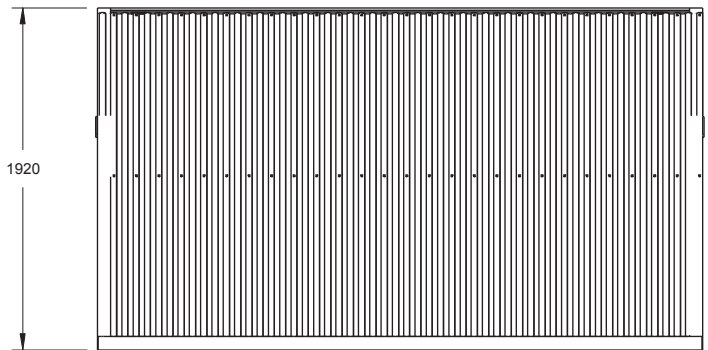
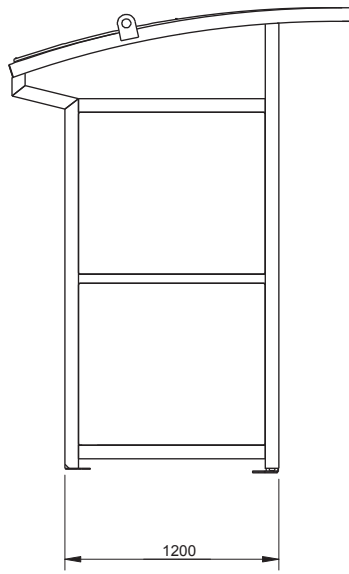
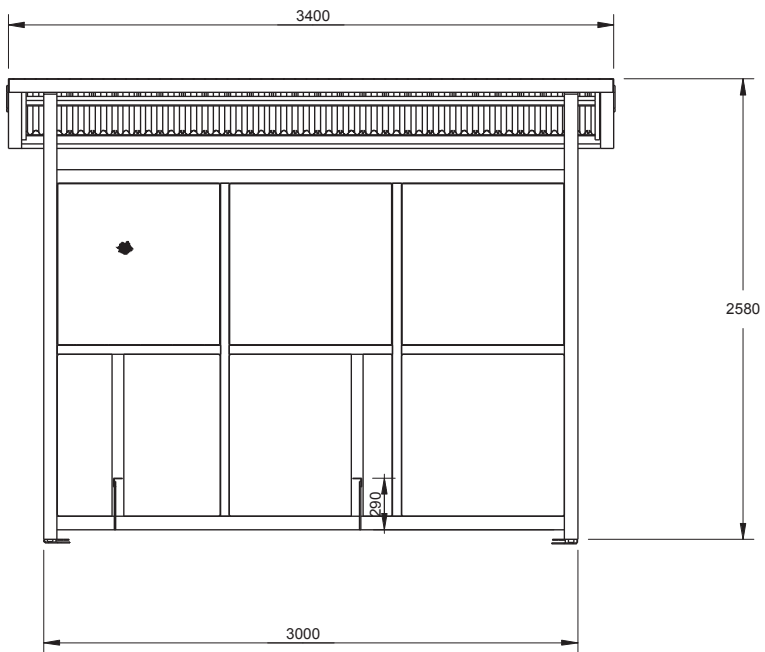
SHEET 1 OF 3

RevNo	Revision note	Date	Signature	Checked
-------	---------------	------	-----------	---------



A
B
C
D
E
F

A
B
C
D
E
F



© copyright
CONFIDENTIAL

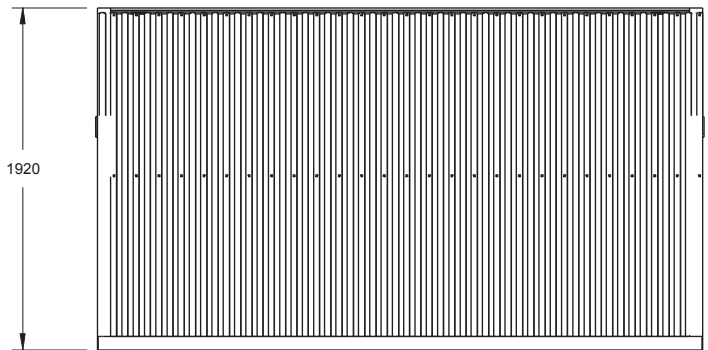
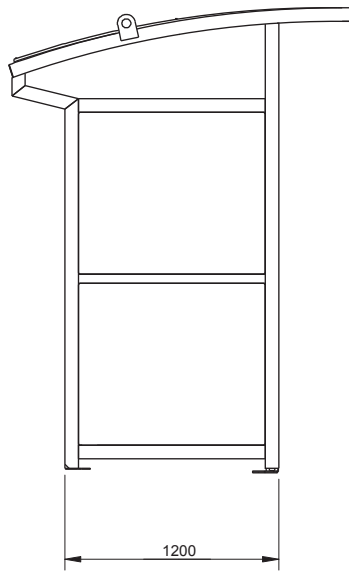
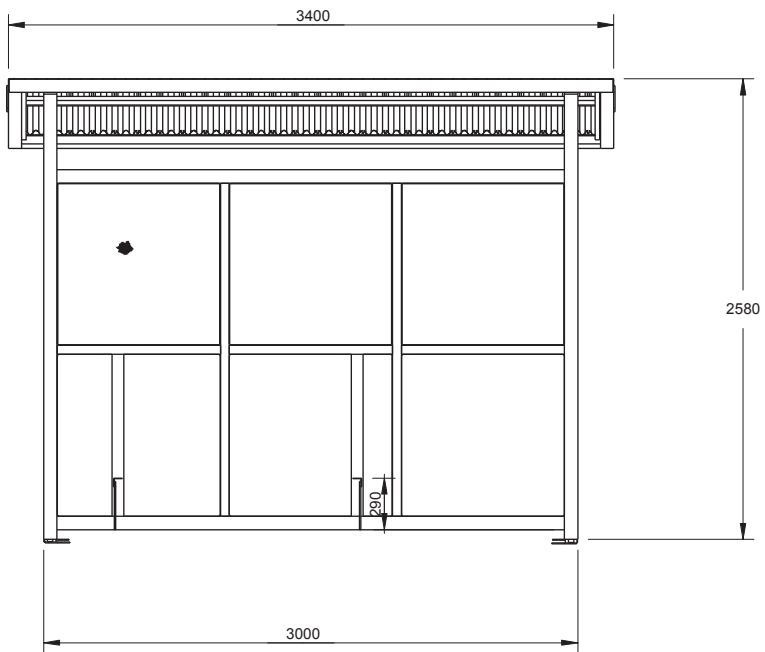
Itemref	Quantity	Title/Name, designation, material, dimension etc	Article No./Reference		
Drawn by DAVID NAVIN	Checked by Steve Jones	Approved by - date 30-05-2011	File name FFSB005010	Date 05-05-11	Scale N/A
		PLAYERS/ COACHES SHELTER - SPEC			
		FFSB005004	Edition 001	Sheet 1 Of 8	

RevNo	Revision note	Date	Signature	Checked
-------	---------------	------	-----------	---------



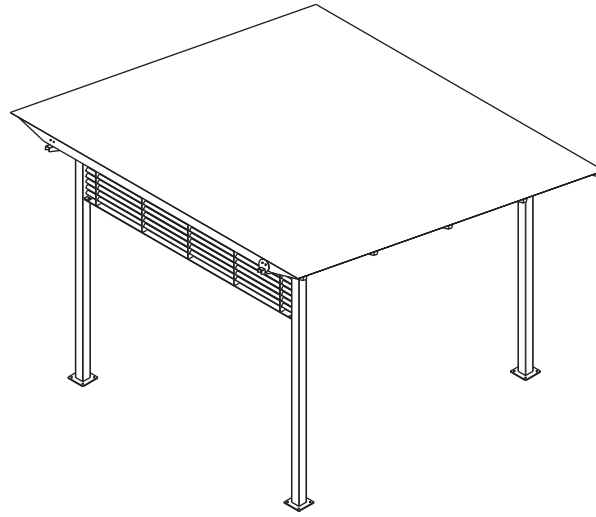
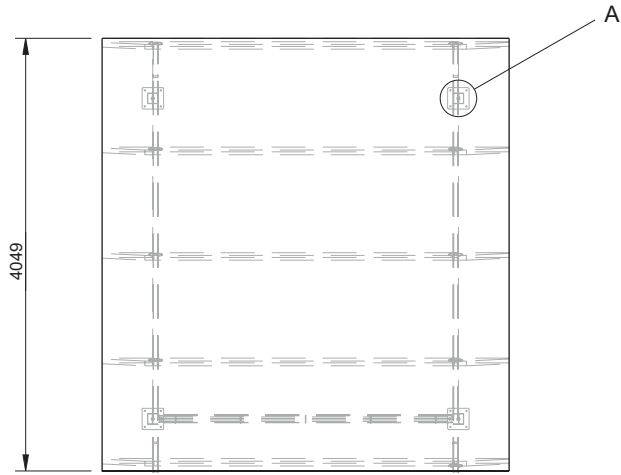
A
B
C
D
E
F

A
B
C
D
E
F



© copyright
CONFIDENTIAL

Itemref	Quantity	Title/Name, designation, material, dimension etc	Article No./Reference		
Drawn by DAVID NAVIN	Checked by Steve Jones	Approved by - date 30-05-2011	File name FFSB005004	Date 05-05-11	Scale N/A
			PLAYERS/ COACHES SHELTER - SPEC		
			FFSB005004	Edition 001	Sheet 1 Of 8



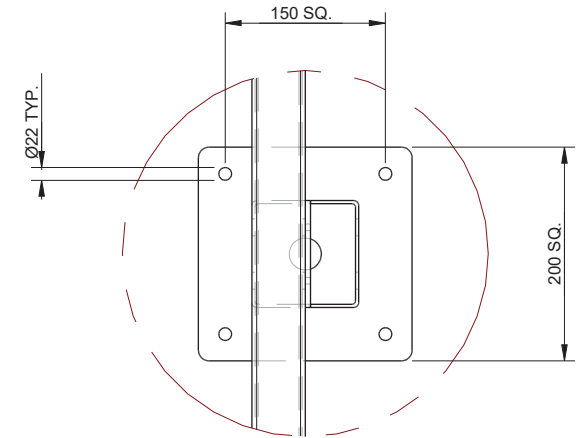
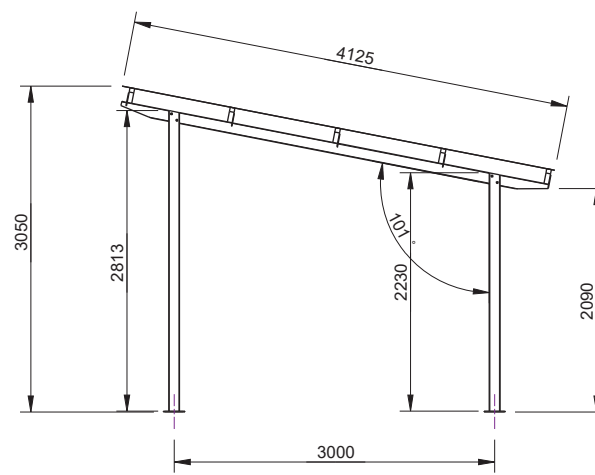
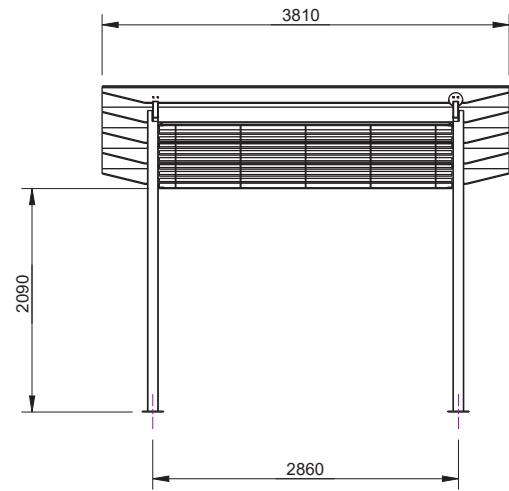
SPECIFICATION:

MATERIAL:
Main construction - Mild Steel & Timber
Sheeting - Colourbond Corrugated BMT 0.42mm 762mm

DIMENSIONS:
mm unless otherwise stated

FINISH:
Steel - Galvanised with optional powdercoat
Sheeting - Colourbond (optional colours)
Timber - Treated Pine

GROUND ATTACHMENT:
Bolt down



Detail A
BOLT DOWN DETAIL
ROOF HIDDEN FOR CLARRITY

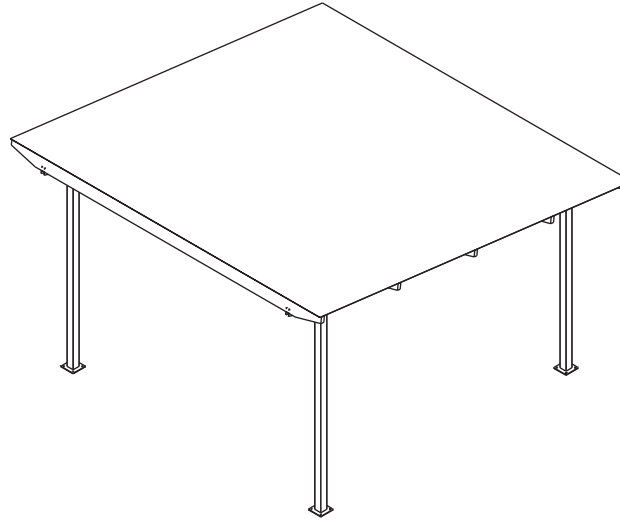
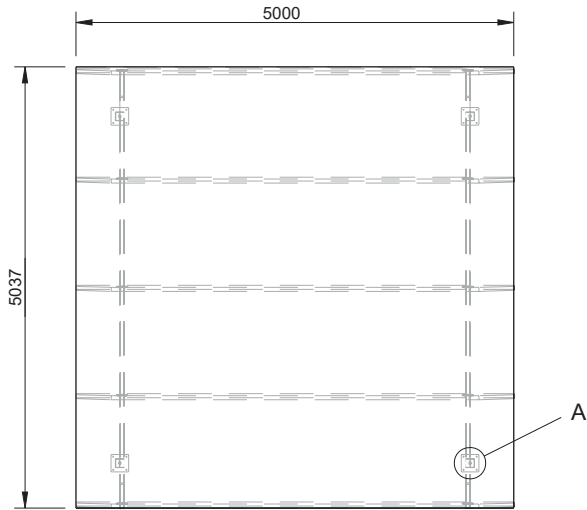
REVISION #	DESCRIPTION	BY	DATE	DRAWN	DRAWN DATE	CHECKED	CHECKED DATE	SCALE	A4
1	ORIGINAL DRAWING	SJ	10.4.10	R.CRIGTON	25.2.14			N/A	
2	FULL PRODUCT REVIEW	RBC	25.2.14						
3									
4									
5									

PROVINCIAL SHELTER SPEC.

FFSB005011

REV. 2

SHEET 1 OF 3



SPECIFICATION:

MATERIAL:

Main construction - Mild Steel & Timber
Sheeting - Colourbond Corrugated BMT 0.42mm 762mm

DIMENSIONS:

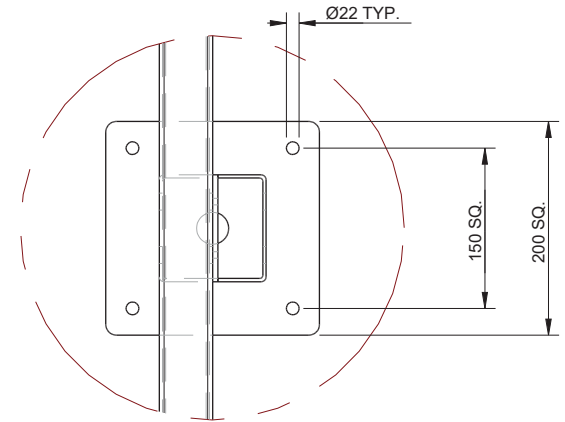
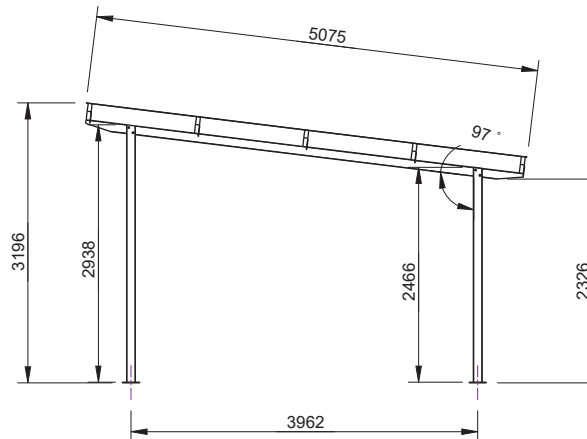
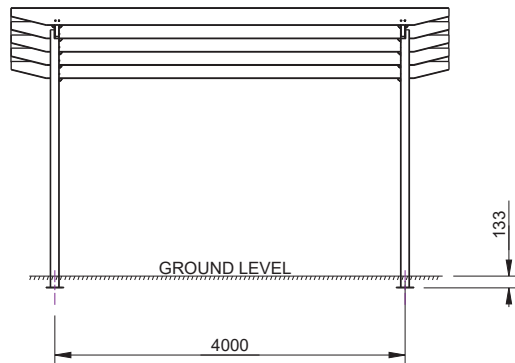
mm unless otherwise stated

FINISH:

Steel - Galvanised with optional powdercoat
Sheeting - Colourbond (optional colours)
Timber - Treated Pine

GROUND ATTACHMENT:

Bolt down (Sub surface)



Detail A
BOLT DOWN DETAIL
ROOF HIDDEN FOR CLARRITY

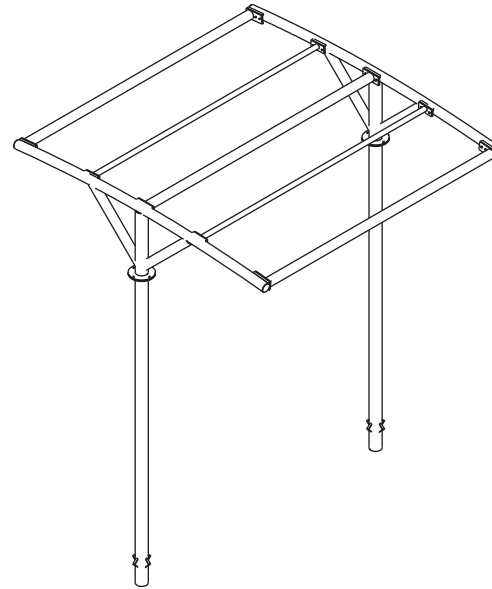
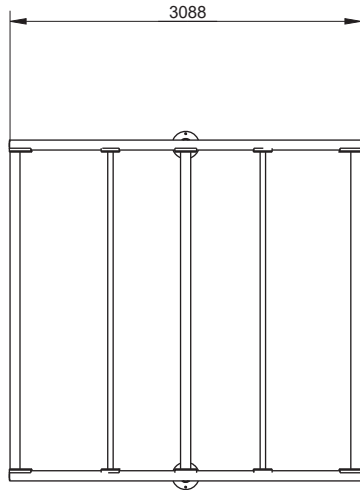
REVISION #	DESCRIPTION	BY	DATE	DRAWN	DRAWN DATE	CHECKED	CHECKED DATE	SCALE	A4
1	ORIGINAL DRAWING	SJ	20.10.10	R.CRIGTON	4.3.14			N/A	
2	FULL PRODUCT REVIEW	RBC	3.4.14						
3									
4									
5									

PROVINCIAL SHELTER (5x5)
SPEC.

FFSB005018

REV. 2

SHEET 1 OF 3



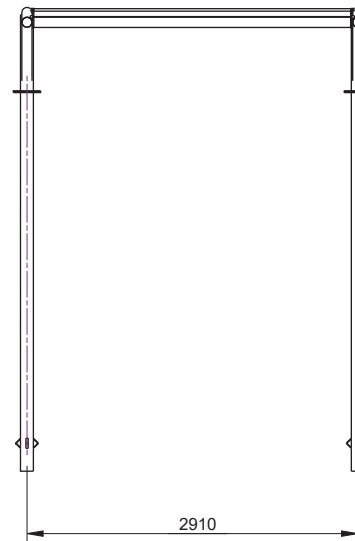
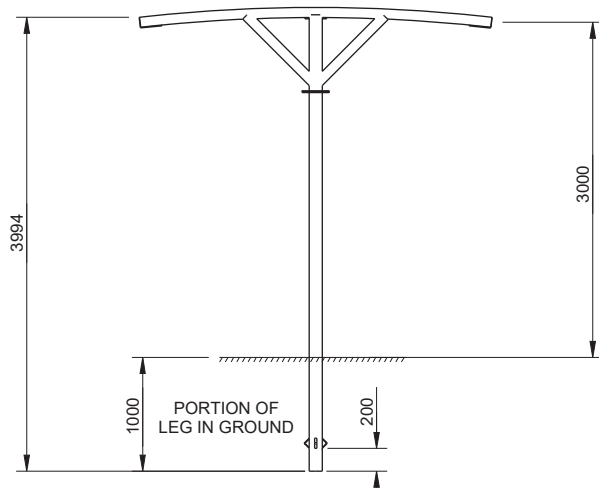
SPECIFICATION:

MATERIAL:
 Main construction - Mild Steel

DIMENSIONS:
 mm unless otherwise stated

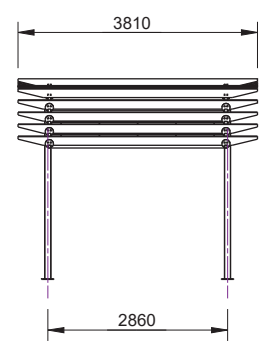
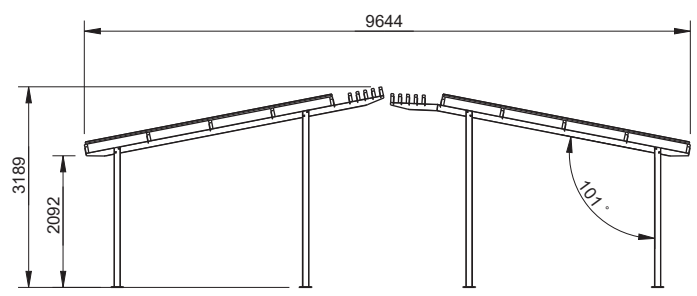
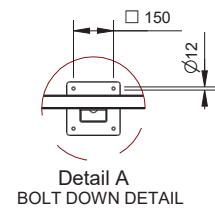
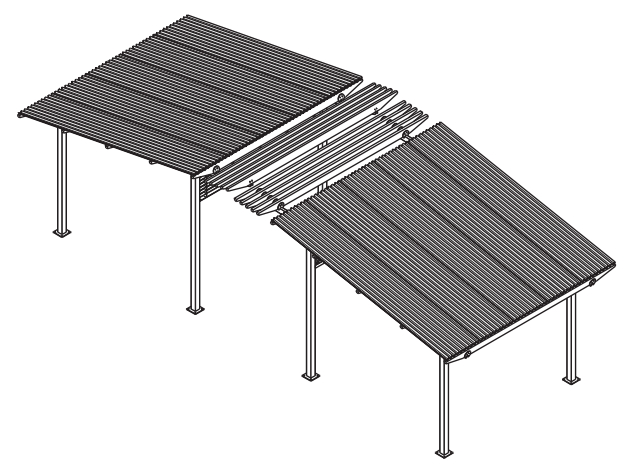
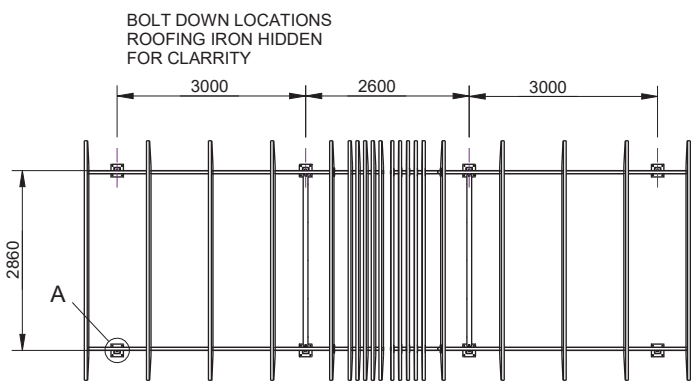
FINISH:
 Galvanised with optional powdercoat

GROUND ATTACHEMENT:
 In ground



#	DESCRIPTION	BY	DATE	DRAWN	DRAWN DATE	CHECKED	CHECKED DATE	SCALE
1	ORIGINAL DRAWING	RBC	3.5.14	R.CRIGTON	3.5.14			N/A
2								
3								
4								
5								

REVISION			RAZOR SHELTER SPEC.	
			FFSB005009	REV. 1



SPECIFICATION:

MATERIAL:
Main construction - Mild Steel & Timber
Sheeting - Colourbond Corrugated BMT 0.42mm 762mm

DIMENSIONS:
mm unless otherwise stated

FINISH:
Steel - Galvanised with optional powdercoat
Sheeting - Colourbond (optional colours)
Timber - Treated Pine

GROUND ATTACHMENT:
Bolt down

REVISION #	DESCRIPTION	BY	DATE	DRAWN	DRAWN DATE	CHECKED	CHECKED DATE	SCALE
1	ORIGINAL DRAWING		21.5.14	R.CRIGTON	21.5.14			N/A
2								
3								
4								
5								

REGIONAL SHELTER
SPEC.

FFSB005012

REV. 1

SHEET 1 OF 3