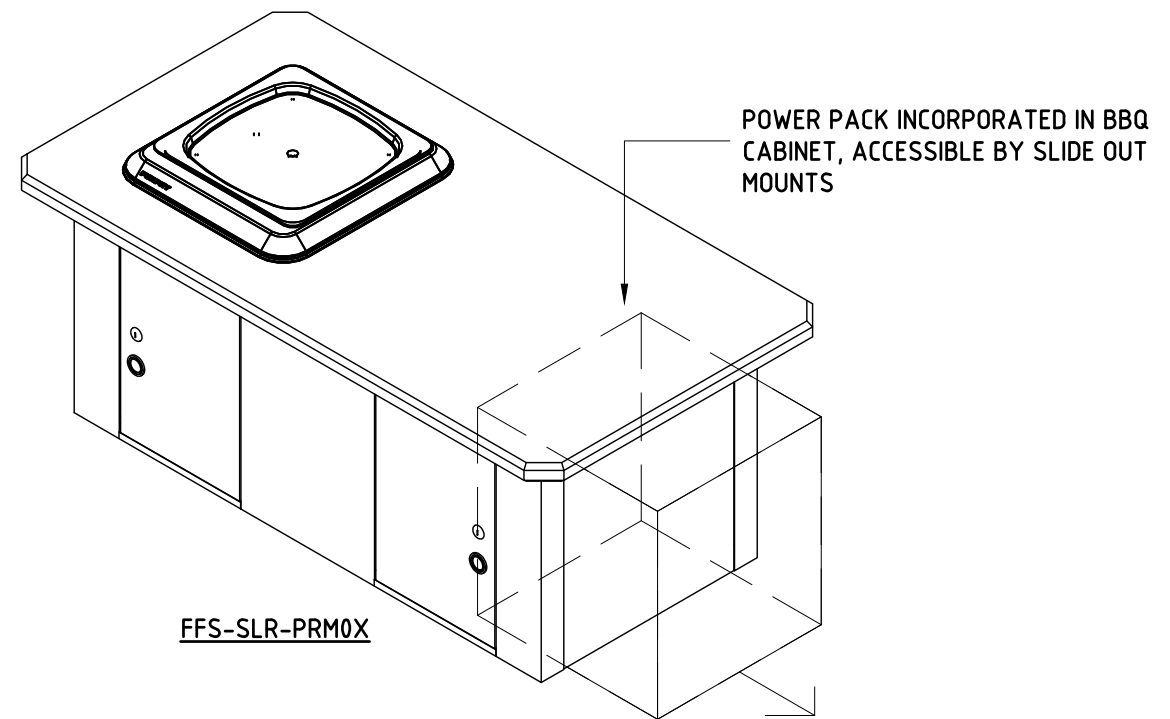
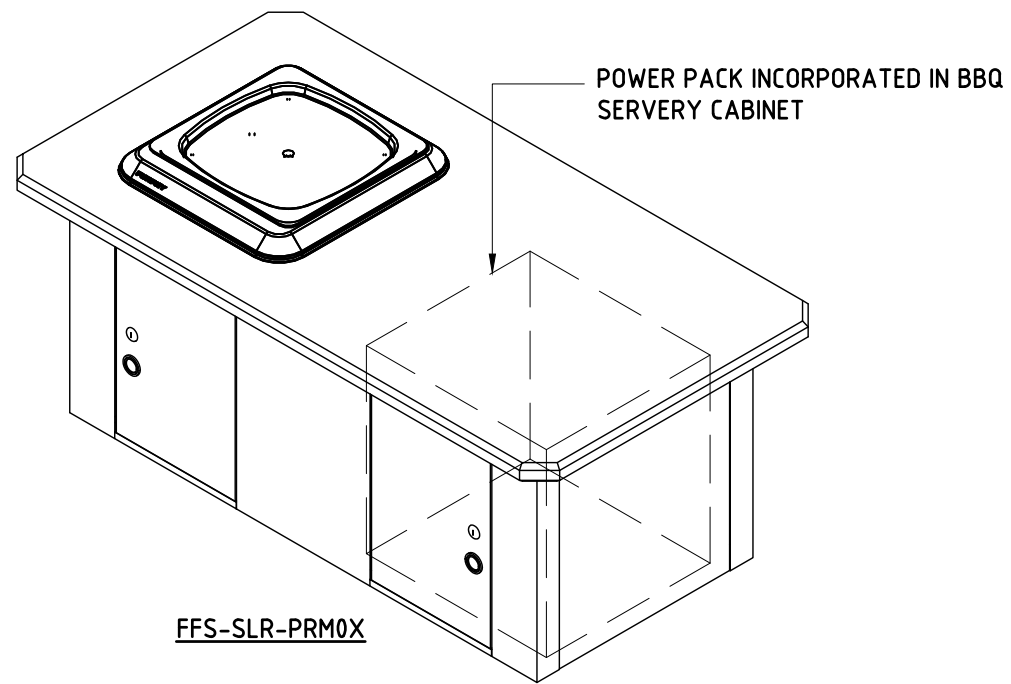


ALL DIMENSIONS IN MILLIMETRES - DO NOT SCALE

# FFS-SLR-PRM0X - INTERGRATED BBQ & POWER PACK



REVISION	DATE:	DRAWN BY.			CLIENT NAME	PROJECT No.	PAGE
6			 <p>© FURPHY FOUNDRY PTY LTD THIS DOCUMENT IS AND SHALL REMAIN THE PROPERTY OF FURPHY FOUNDRY. UNAUTHORISED USE OF THIS DOCUMENT IN ANY FORM IS PROHIBITED.</p>	 <p>Furphy Foundry Pty Ltd PH: (03) 5831 2777 A.B.N. 24 007 195 913 FAX: (03) 5831 2681 21 Drummond Rd, www.furphyfoundry.com.au Shepparton VIC 3630 sales@furphyfoundry.com.au</p>	FURPHY FOUNDRY	NPD-1004	<b>A3</b>
5					PROJECT	DATE:	DRAWN
4					SOLAR BBQ CONFIGURATIONS	27.02.24	JAR
3						DRAWING No.	SCALE
2						SBBQ-1004	NTS
1					DRAWING TITLE	SHEET No.	REV.
			FFS-SLR-PRM0X - INTERGRATED BBQ & POWER PACK	100	-		