



# SPECIFICATION:

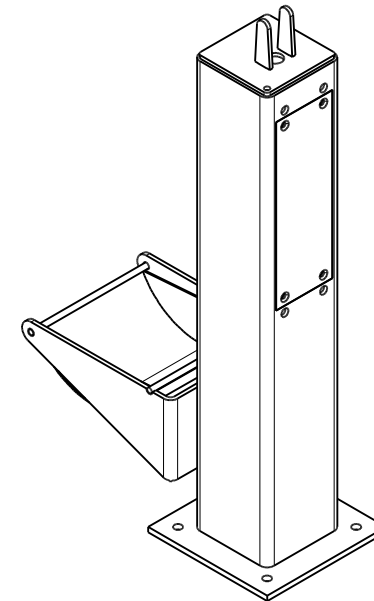
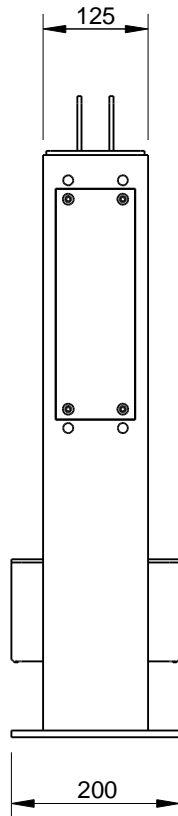
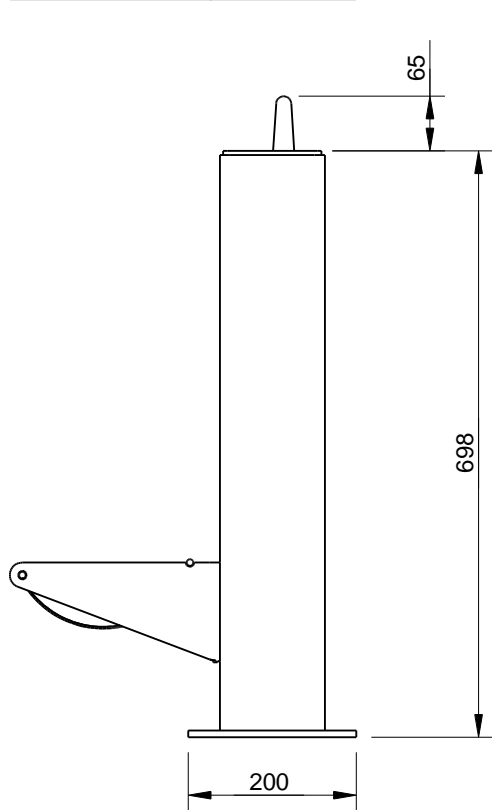
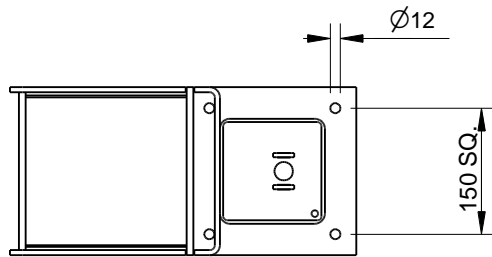
**MATERIALS:**  
Main construction - Mild Steel

**DIMENSIONS:**  
mm unless otherwise stated

**FINISH:**  
Galvanised and Optional Powder Coat

**GROUND FIXINGS:**  
Bolt down

**OPTIONAL:**  
Dog Bowl (304SS)

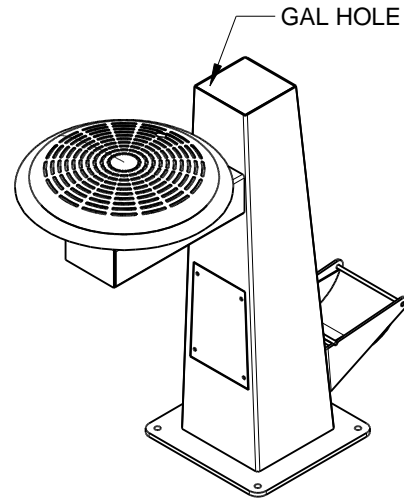
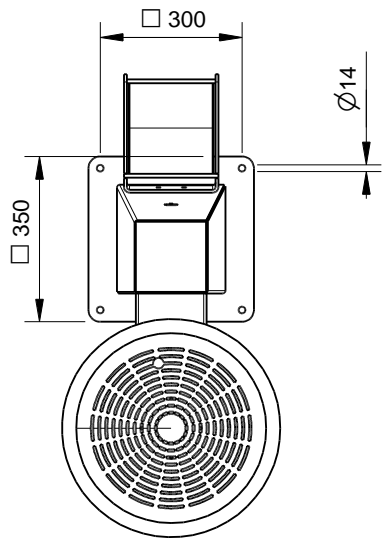


© copyright  
CONFIDENTIAL

REVISION #	DESCRIPTION	BY	DATE	DRAWN	DRAWN DATE	CHECKED	CHECKED DATE	SCALE	
								A4	
1	ORIGINAL DRAWING	RBC	10.12.13	R.CRIGTON	10.12.13			N/A	
2									
3									
4									
5									
								LOCAL PARK DRINKING FOUNTAIN SPEC.	







## SPECIFICATION:

### MATERIALS:

Framework - Mild Steel  
 Dog bowl - Stainless Steel  
 Top bowl - Stainless Steel

### DIMENSIONS:

mm unless otherwise stated

### FINISH:

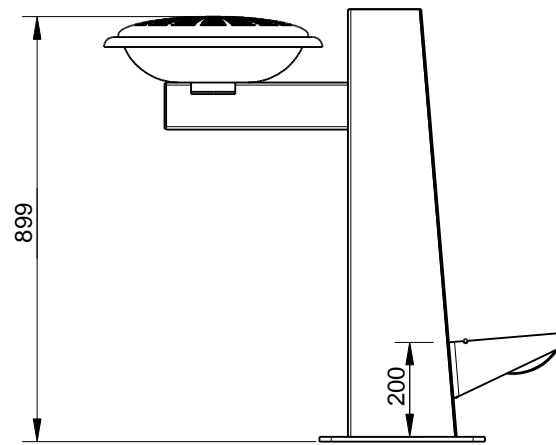
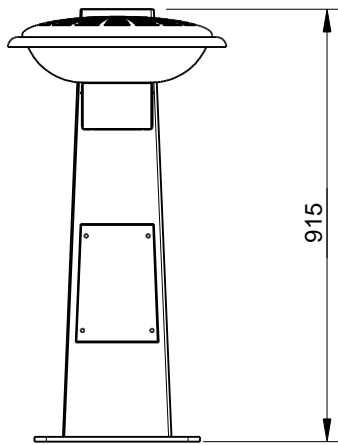
Galvanised and Optional Powder Coat

### GROUND FIXINGS:

Bolt down

### OPTIONAL ATTACHMENT:

Dog bowl



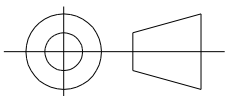
Quality  
 ISO 9001



copyright

CONFIDENTIAL

REVISION #	DESCRIPTION	BY	DATE	DRAWN	DRAWN DATE	CHECKED	CHECKED DATE	SCALE	A4
2									
3									
4									
5									



SANDFORD DRINKING FOUNTAIN  
 SPEC.  
 FFSB009004  
 REV. 1  
 SHEET 1 OF 3