

Quality
ISO 9001
SAI GLOBAL

SPECIFICATION:

Material:
Recycled aluminium

Dimensions:
All in mm unless otherwise stated

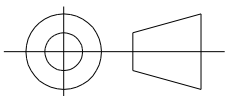
Finish:
Mill finish or Powder coat

Ground Fixings:
Bolt down



CONFIDENTIAL

REVISION #	DESCRIPTION	BY	DATE	DRAWN	DRAWN DATE	CHECKED	CHECKED DATE	SCALE	A4
								N/A	
1	ORIGINAL DRAWING	RBC	10.3.14	R.CRIGTON	10.3.14				
2									
3									
4									
5									



EDGEWATER BOLLARD
SPEC.
FFSA008004
REV. 1
SHEET 1 OF 2



Quality
ISO 9001
SAI GLOBAL

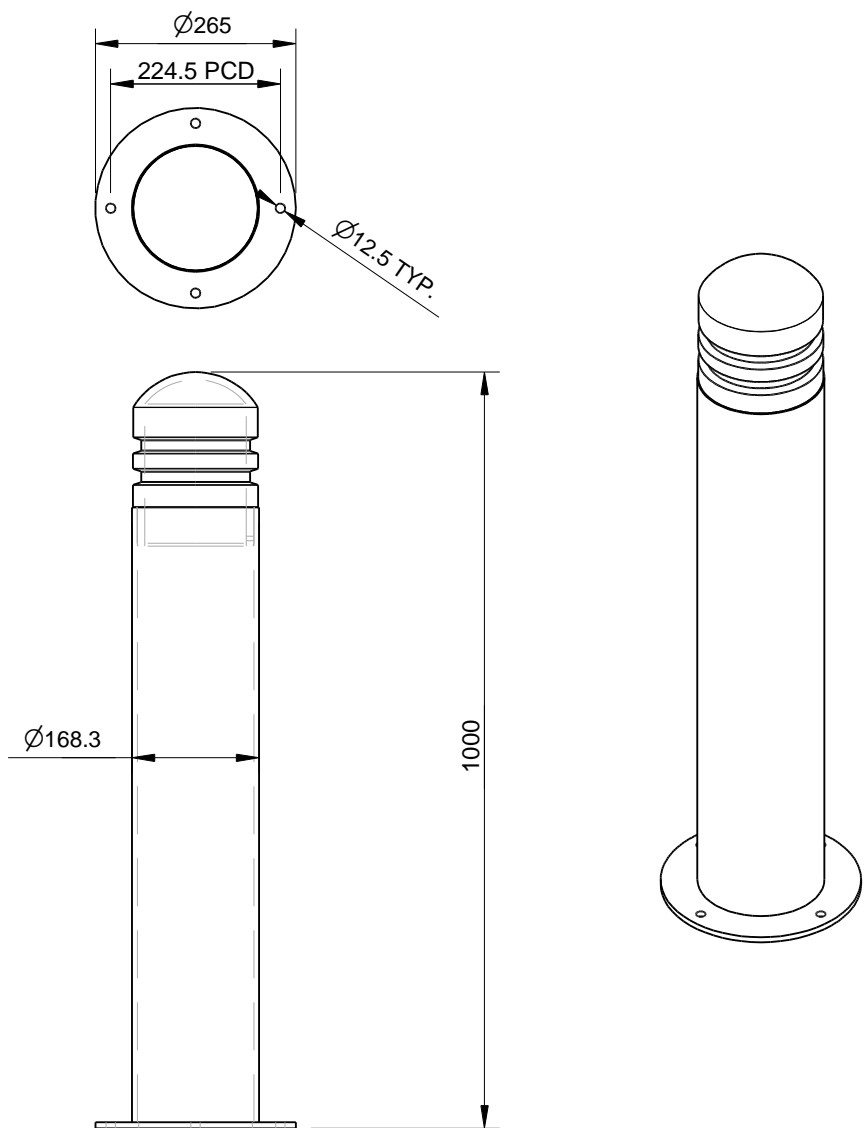
SPECIFICATION:

Material:
Top - Recycled aluminium
Column & base - Mild steel

Dimensions:
All in mm unless otherwise stated

Finish:
Steel - Galvanised mild steel & optional powder coat

Ground Fixings:
Bolt down



copyright

CONFIDENTIAL

REVISION #	DESCRIPTION	BY	DATE	DRAWN	DRAWN DATE	CHECKED	CHECKED DATE	SCALE	A4
								N/A	
1	ORIGINAL DRAWING	SJ	6.9.10	R.CRIGTON	18.12.13				
2	FULL PRODUCT REVIEW	RBC	18.12.13						
3									
4									
5									
						B11 BOLLARD - BOLT DOWN SPEC.			
							FFSB008004	REV. 2	SHEET 1 OF 2



Quality
ISO 9001
SAI GLOBAL

SPECIFICATION:

Material:

Top - Recycled aluminium
Column & base - Mild steel

Dimensions:

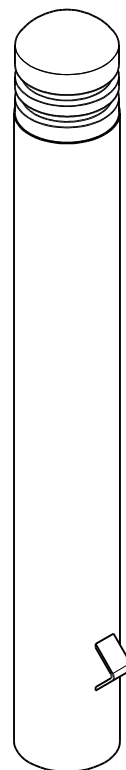
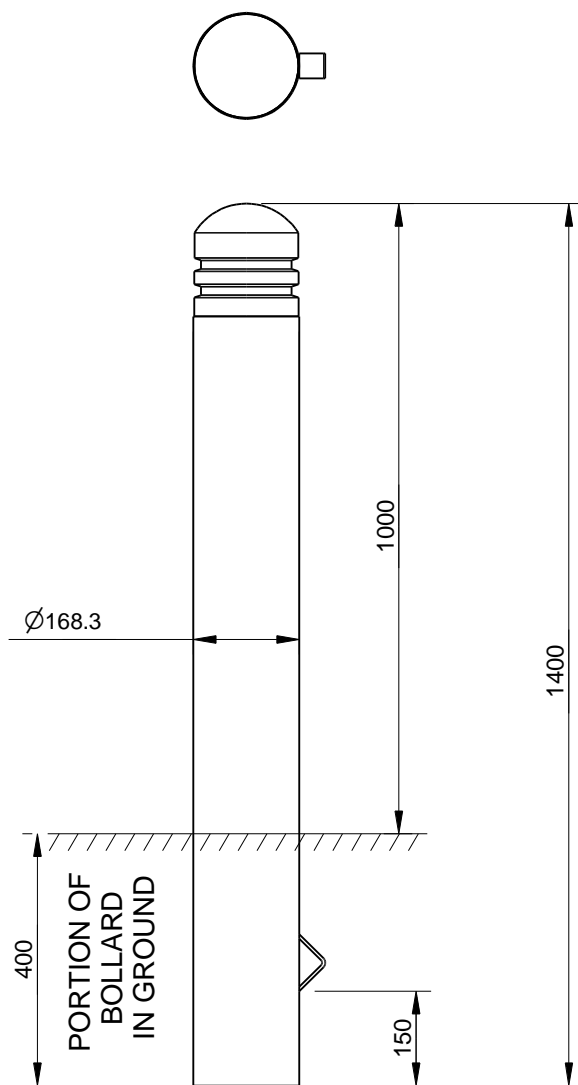
All in mm unless otherwise stated

Finish:

Steel - Galvanised mild steel & optional powder coat

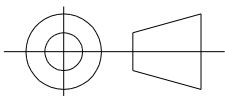
Ground Fixings:

In ground



CONFIDENTIAL

REVISION #	DESCRIPTION	BY	DATE	DRAWN	DRAWN DATE	CHECKED	CHECKED DATE	SCALE	A4
								N/A	
1	ORIGINAL DRAWING	RBC	18.12.13	R.CRIGTON	18.12.13				
2									
3									
4									
5									



B11 BOLLARD - IN GROUND SPEC.

FFSB008005

REV. 1

SHEET 1 OF 2



Quality
ISO 9001
SAI GLOBAL

SPECIFICATION:

Material:

Top - Recycled aluminium
Column & base - Mild steel

Dimensions:

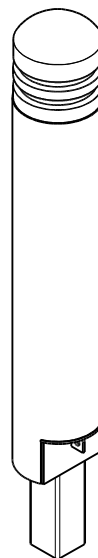
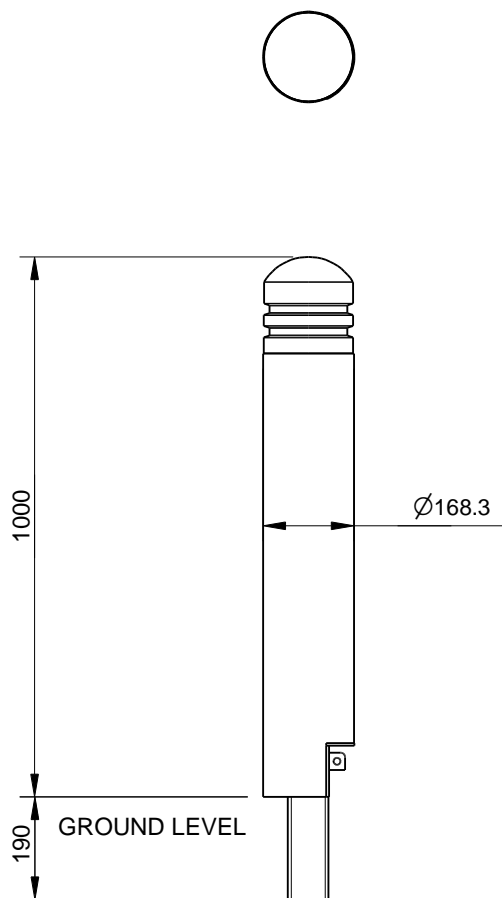
All in mm unless otherwise stated

Finish:

Steel - Galvanised mild steel & optional powder coat

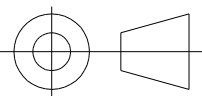
Ground Fixings:

Removable.
Attaches to in ground component (FFSB008036)



CONFIDENTIAL

REVISION	#	DESCRIPTION	BY	DATE	DRAWN	DRAWN DATE	CHECKED	CHECKED DATE	SCALE	A4
	1	1	ORIGINAL DRAWING	RBC	18.12.13	R.CRIGTON	18.12.13			
2	2									
3	3									
4	4									
5	5									



B11 BOLLARD - REMOVABLE
SPEC.

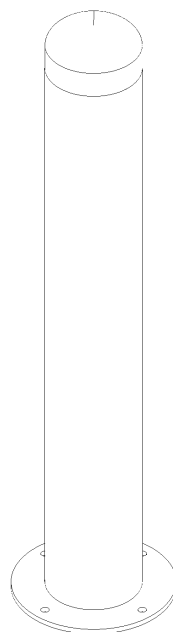
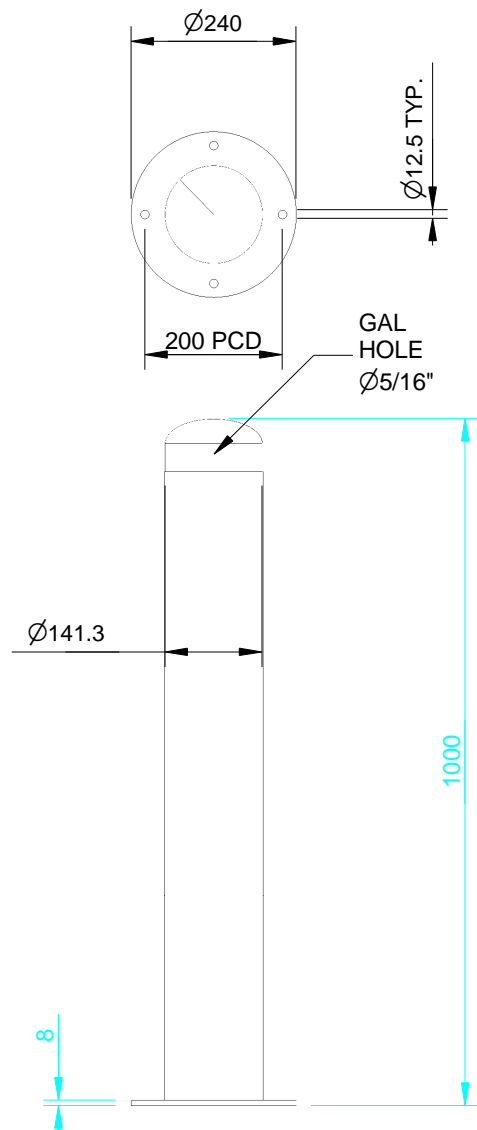
FFSB008006

REV.
1

SHEET
1 OF 3



Quality
ISO 9001
SAI GLOBAL



SPECIFICATION:

Material:
Mild steel

Dimensions:
All in mm unless otherwise stated

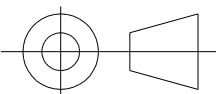
Finish:
Steel - Galvanised mild steel & optional powder coat

Ground Fixings:
Bolt down



CONFIDENTIAL

REVISION #	DESCRIPTION	BY	DATE	DRAWN	DRAWN DATE	CHECKED	CHECKED DATE	SCALE
								A4
1	ORIGINAL DRAWING	SJ	2.1.11	R.CRIGTON	19.12.13			N/A
2	FULL PRODUCT REVIEW	RBC	19.12.13					
3								
4								
5								
						DOMETOP BOLLARD (140mm) - BOLT DOWN SPEC.		
						FFSB008016	REV. 2	SHEET 1 OF 2





Quality
ISO 9001
SAI GLOBAL

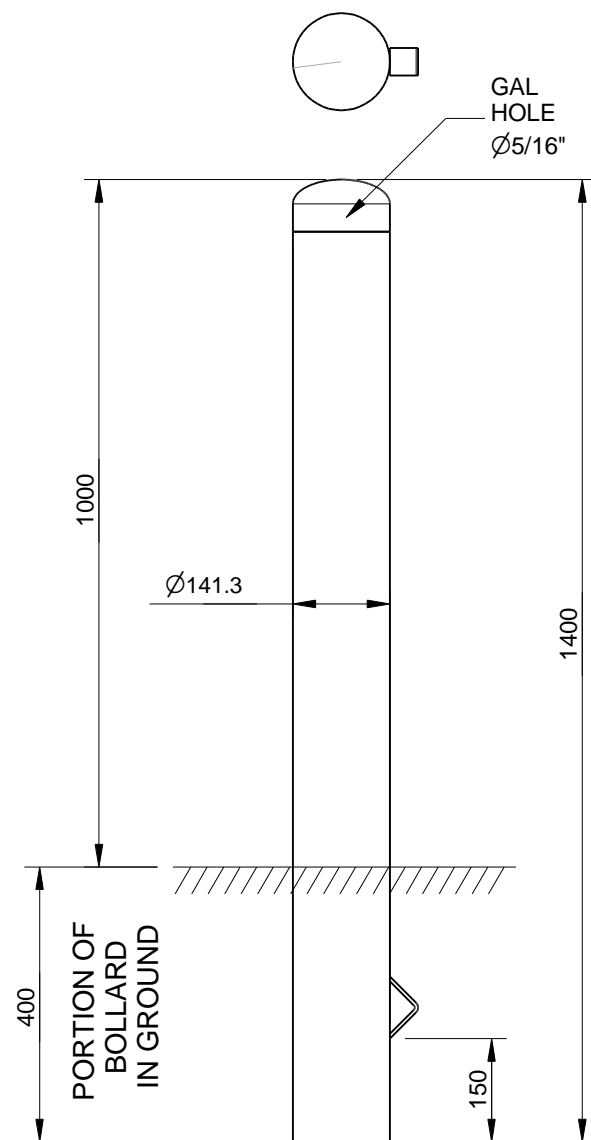
SPECIFICATION:

Material:
Mild steel

Dimensions:
All in mm unless otherwise stated

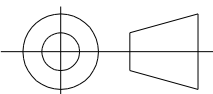
Finish:
Steel - Galvanised mild steel & optional powder coat

Ground Fixings:
In ground



CONFIDENTIAL

REVISION #	DESCRIPTION	BY	DATE	DRAWN	DRAWN DATE	CHECKED	CHECKED DATE	SCALE
								A4
1	ORIGINAL DRAWING	SJ	2.1.11	R.CRIGTON	19.12.13			N/A
2	FULL PRODUCT REVIEW	RBC	19.12.13					
3								
4								
5								

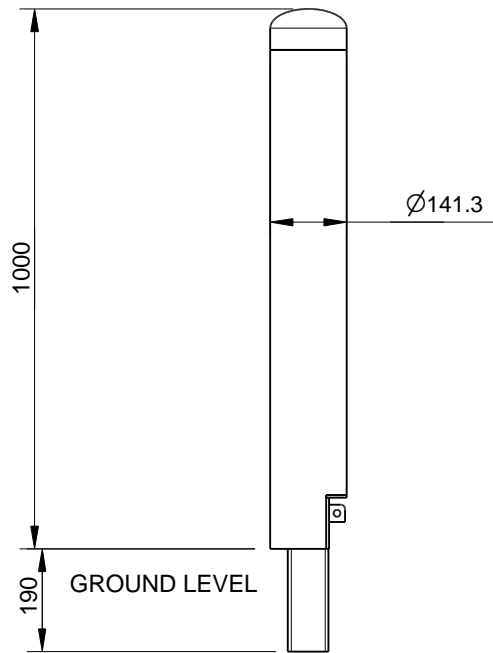


DOMETOP BOLLARD (140mm) - IN GROUND SPEC.

FFSB008017

REV.
2

SHEET
1 OF 2



SPECIFICATION:

Material:
Mild steel

Dimensions:
All in mm unless otherwise stated

Finish:
Steel - Galvanised mild steel & optional powder coat

Ground Fixings:
Removable.
Attaches to in ground component (FFSB008036)

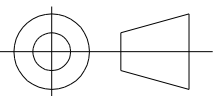


Quality
ISO 9001
SAI GLOBAL



CONFIDENTIAL

REVISION #	DESCRIPTION	BY	DATE	DRAWN	DRAWN DATE	CHECKED	CHECKED DATE	SCALE	A4
								N/A	
1	ORIGINAL DRAWING	RBC	19.12.13	R.CRIGTON	19.12.13				
2									
3									
4									
5									



DOMETOP BOLLARD (140mm) - REMOVABLE SPEC.

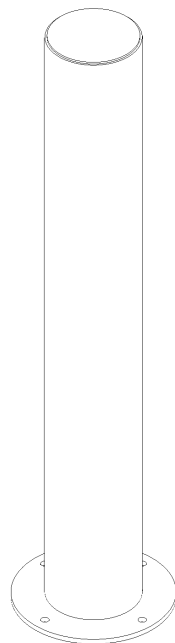
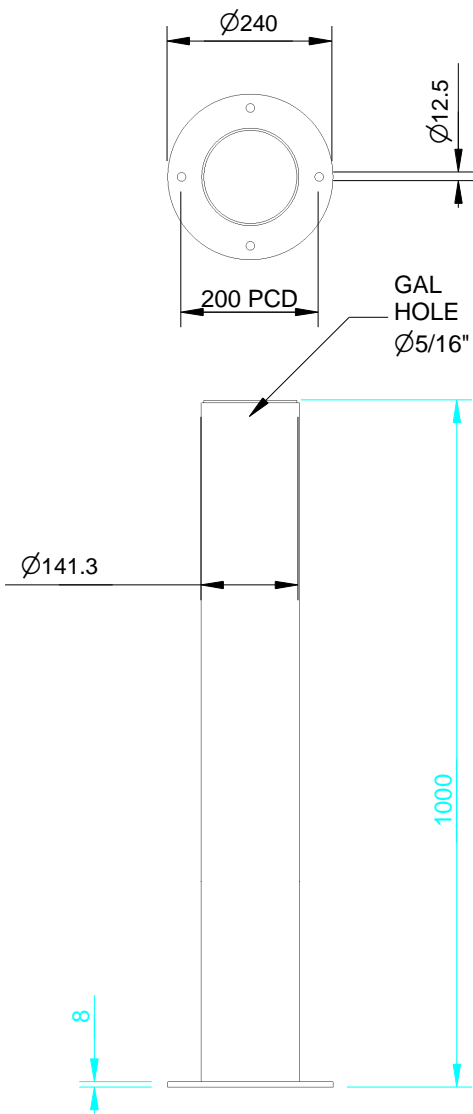
FFSB008018

REV. 1

SHEET 1 OF 3



Quality
ISO 9001
SAI GLOBAL



SPECIFICATION:

Material:
Mild steel

Dimensions:
All in mm unless otherwise stated

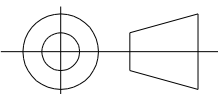
Finish:
Steel - Galvanised mild steel & optional powder coat

Ground Fixings:
Bolt down



CONFIDENTIAL

REVISION #	DESCRIPTION	BY	DATE	DRAWN	DRAWN DATE	CHECKED	CHECKED DATE	SCALE	A4
								N/A	
1	ORIGINAL DRAWING	SJ	11.6.10	R.CRIGTON	19.12.13				
2	FULL PRODUCT REVIEW	RBC	19.12.13						
3									
4									
5									
						BARRIER BOLLARD (140mm) - BOLT DOWN SPEC.			
						FFSB008019	REV. 2	SHEET 1 OF 2	





Quality
ISO 9001
SAI GLOBAL

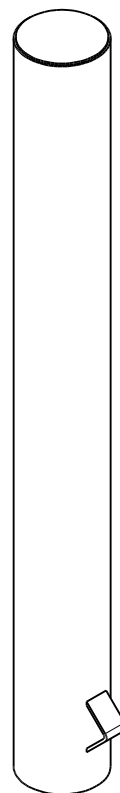
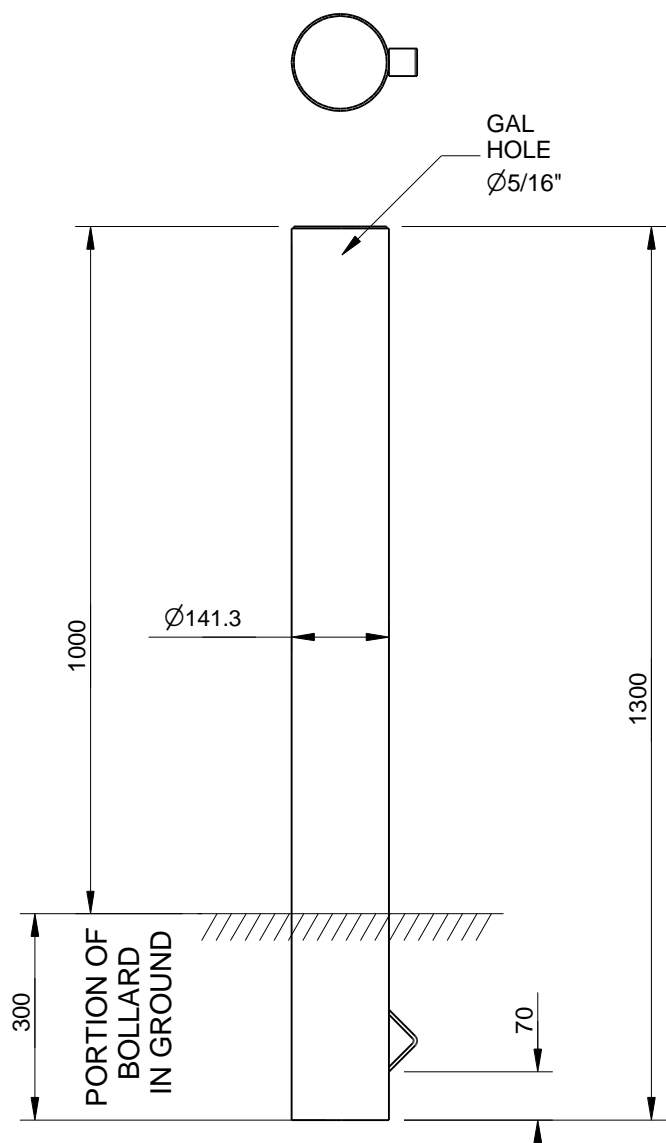
SPECIFICATION:

Material:
Mild steel

Dimensions:
All in mm unless otherwise stated

Finish:
Steel - Galvanised mild steel & optional powder coat

Ground Fixings:
In ground



CONFIDENTIAL

REVISION	#	DESCRIPTION	BY	DATE	DRAWN	DRAWN DATE	CHECKED	CHECKED DATE	SCALE	A4
	1	ORIGINAL DRAWING	SJ	20.9.10	R.CRIGTON	19.12.13			N/A	
2	FULL PRODUCT REVIEW	RBC	19.12.13							
3										
4										
5										

BARRIER BOLLARD (140mm) - IN GROUND SPEC.

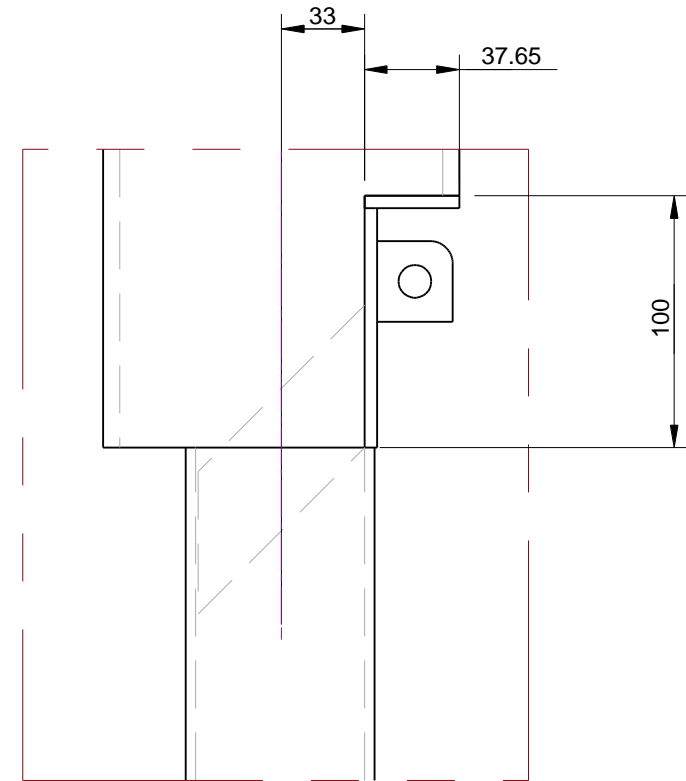
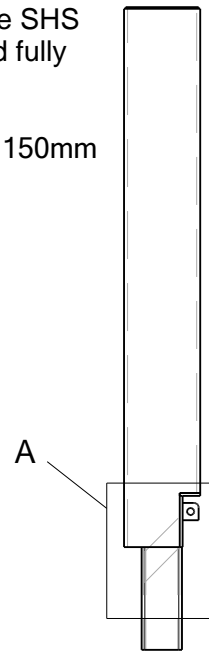
FFSB008020

REV. 2

SHEET 1 OF 2

PROCEDURE

1. Cut pipe to length - 997mm
2. Clean and square top end of pipe.
3. Place cap on top of pipe having an even gap around the top edge. Tack in place and fully weld dress flush.
4. Using an angle grinder with cutting disk, remove section of pipe 100mm longitudinally, and 33mm from pipe centre. See detail. This corresponds to a 153mm distance around the pipe (if 141.3 O.D.).
5. Tack in arc plate. Ensure square and check dimensions. Fully weld and dress flush with pipe.
6. Tack together SHS, 120x5x95 plate, back gusset, and cleat. Refer to detail A. Ensure square and fully weld.
7. Tack together the lower assembly to the pipe assembly. Ensure the SHS is colinear with the pipe and is square, this is essential. Check and fully weld, dress flush with outside of pipe.
8. Drill 5/16 holes in top as per Spec for galvanising
9. After galvanising and painting, install a 30mm wide reflective tape 150mm down from top.
10. Final inspection.



Detail A



Quality
ISO 9001
SAI GLOBAL



CONFIDENTIAL

REVISION	#	DESCRIPTION	BY	DATE	DRAWN	DRAWN DATE	CHECKED	CHECKED DATE	SCALE	A4
	1	1	ORIGINAL DRAWING	RBC	19.12.13	R.CRIGTON	19.12.13			
2	2									
3	3									
4	4									
5	5									

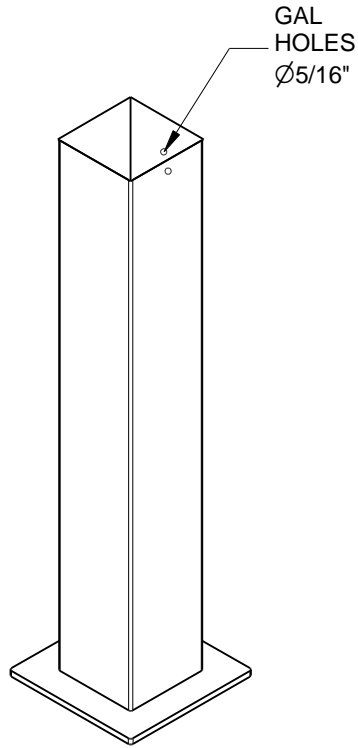
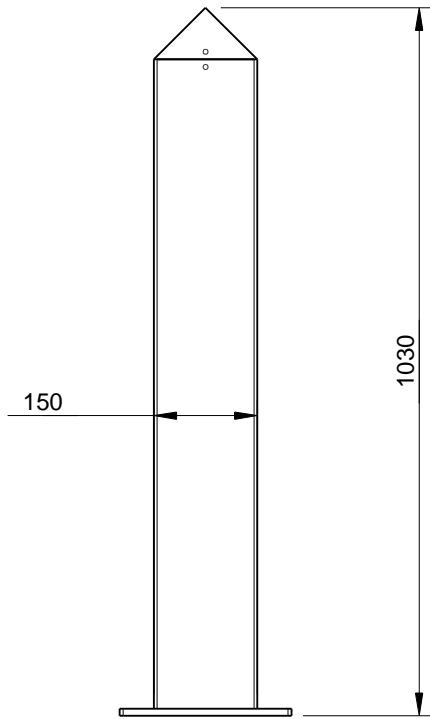
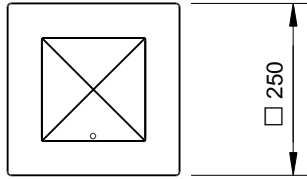
FURPHY
FOUNDRY EST. 1864

**BARRIER BOLLARD (140mm) - REMOVABLE
PROCEDURE & DETAIL**

FFSB008021

REV. 1

SHEET 3 OF 3



SPECIFICATION:

Material:
Mild steel

Dimensions:
All in mm unless otherwise stated

Finish:
Steel - Galvanised mild steel & optional powder coat

Ground Fixings:
Bolt down

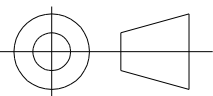


Quality
ISO 9001
SAI GLOBAL



CONFIDENTIAL

REVISION #	DESCRIPTION	BY	DATE	DRAWN	DRAWN DATE	CHECKED	CHECKED DATE	SCALE	A4
2	FULL PRODUCT REVIEW	RBC	19.12.13						
3									
4									
5									



GABLE TOP BOLLARD - BOLT DOWN SPEC.

FFSB008022

REV. 2

SHEET 1 OF 2



Quality
ISO 9001
SAI GLOBAL

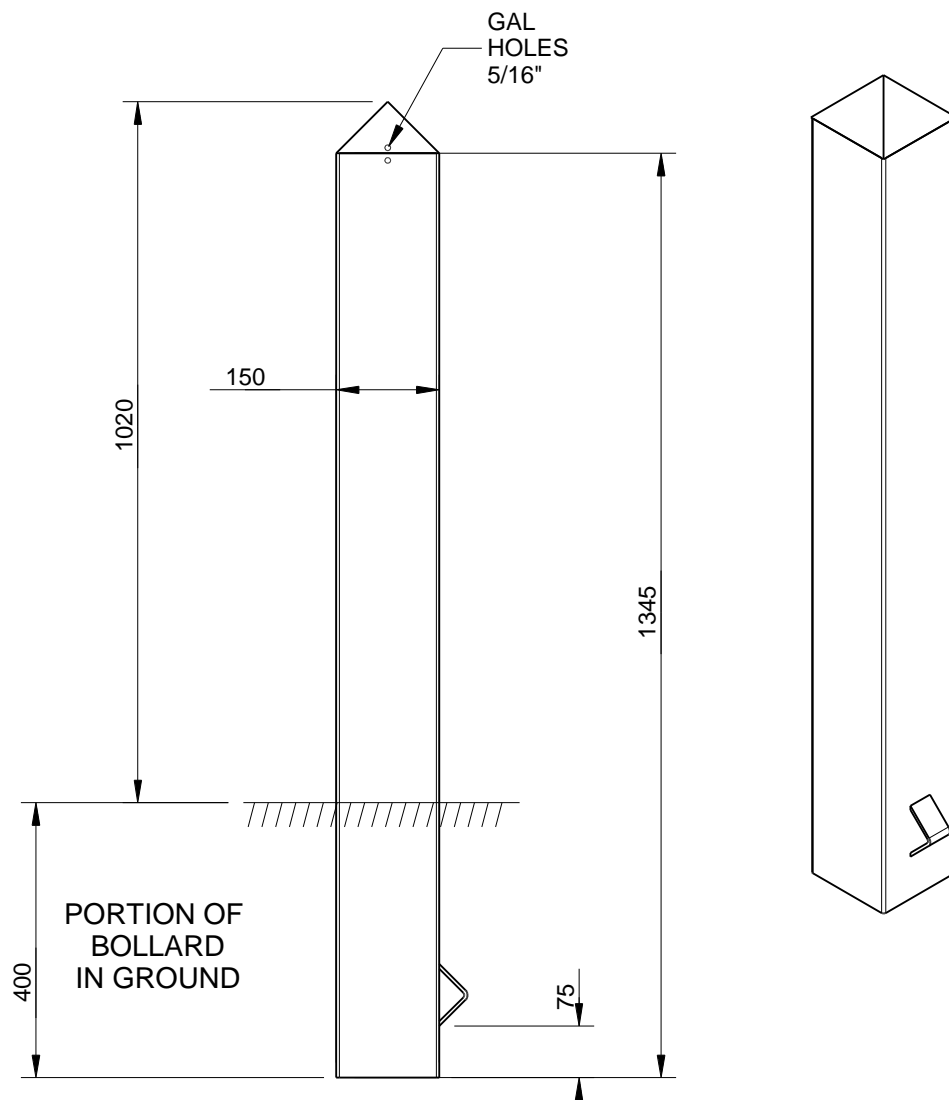
SPECIFICATION:

Material:
Mild steel

Dimensions:
All in mm unless otherwise stated

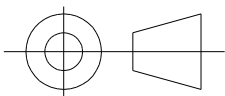
Finish:
Steel - Galvanised mild steel & optional powder coat

Ground Fixings:
In ground



CONFIDENTIAL

REVISION	#	DESCRIPTION	BY	DATE	DRAWN	DRAWN DATE	CHECKED	CHECKED DATE	SCALE	A4
	1	ORIGINAL DRAWING	SJ	3.1.11	R.CRIGTON	6.1.14			N/A	
2	FULL PRODUCT REVIEW	RBC	6.1.14							
3										
4										
5										

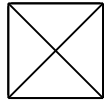


GABLE TOP BOLLARD - IN GROUND
SPEC.

FFSB008023

REV.
2

SHEET
1 OF 2



Quality
ISO 9001
SAI GLOBAL

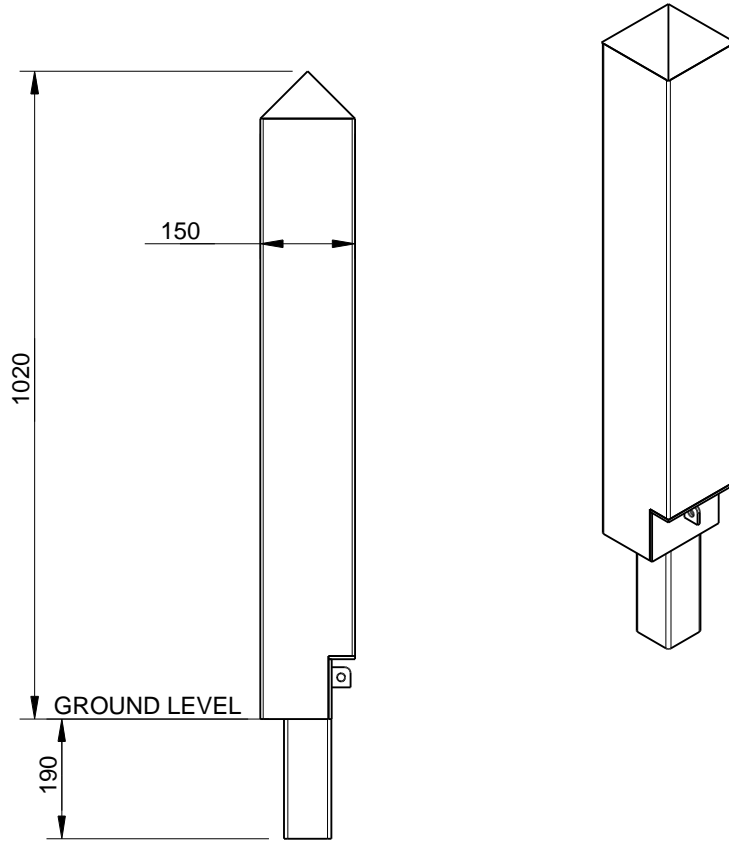
SPECIFICATION:

Material:
Mild steel

Dimensions:
All in mm unless otherwise stated

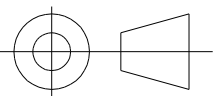
Finish:
Steel - Galvanised mild steel & optional powder coat

Ground Fixings:
Removable.
Attaches to in ground component (FFSB008036)



CONFIDENTIAL

REVISION #	DESCRIPTION	BY	DATE	DRAWN	DRAWN DATE	CHECKED	CHECKED DATE	SCALE	A4
								N/A	
1	ORIGINAL DRAWING	RBC	6.1.14	R.CRIGTON	6.1.14				
2									
3									
4									
5									

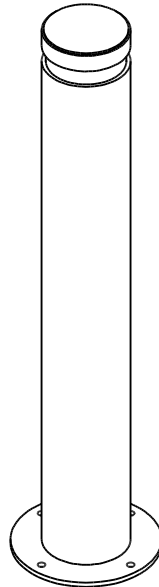
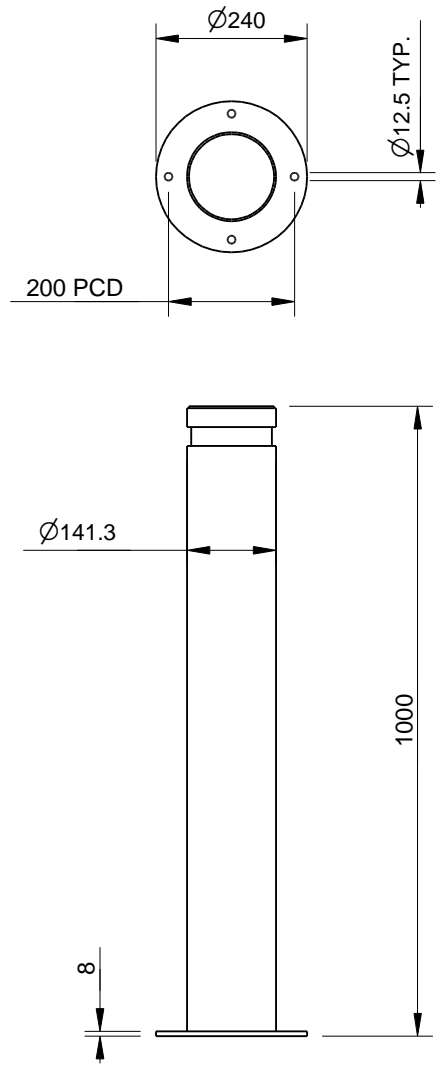


GABLE TOP BOLLARD - REMOVABLE
SPEC.

FFSB008024

REV.
1

SHEET
1 OF 3



SPECIFICATION:

Material:
Mild steel

Dimensions:
All in mm unless otherwise stated

Finish:
Steel - Galvanised mild steel & optional powder coat
Reflective tape around recess.

Ground Fixings:
Bolt down



Quality
ISO 9001
SAI GLOBAL

© copyright
CONFIDENTIAL

REVISION #	DESCRIPTION	BY	DATE	DRAWN	DRAWN DATE	CHECKED	CHECKED DATE	SCALE	
								A4	
1	ORIGINAL DRAWING	SJ	11.5.10	R.CRIGTON	6.1.14			N/A	
2	FULL PRODUCT REVIEW	RBC	6.1.14			COGS BOLLARD (140mm) - BOLT DOWN SPEC. FFSB008025			
3									
4									
5									
								REV. 2	SHEET 1 OF 2



Quality
ISO 9001
SAI GLOBAL

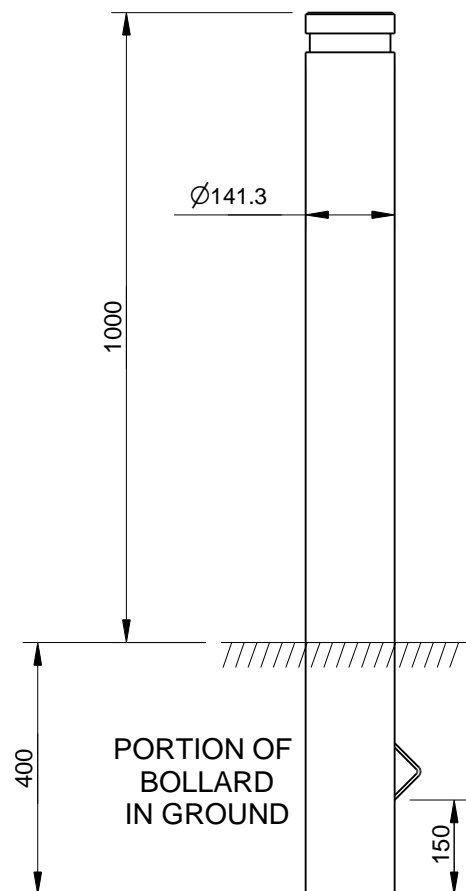
SPECIFICATION:

Material:
Mild steel

Dimensions:
All in mm unless otherwise stated

Finish:
Steel - Galvanised mild steel & optional powder coat
Reflective tape around recess.

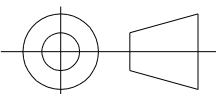
Ground Fixings:
In ground



© copyright

CONFIDENTIAL

REVISION #	DESCRIPTION	BY	DATE	DRAWN	DRAWN DATE	CHECKED	CHECKED DATE	SCALE	
								A4	
1	ORIGINAL DRAWING	SJ	20.9.10	R.CRIGTON	6.1.14			N/A	
2	FULL PRODUCT REVIEW	RBC	6.1.14					COGS BOLLARD (140mm) - IN GROUND SPEC.	
3									
4									
5									



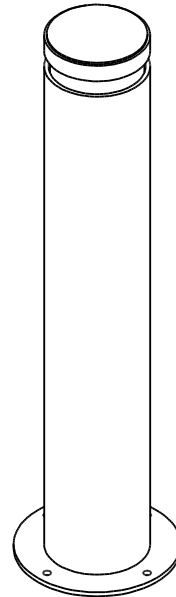
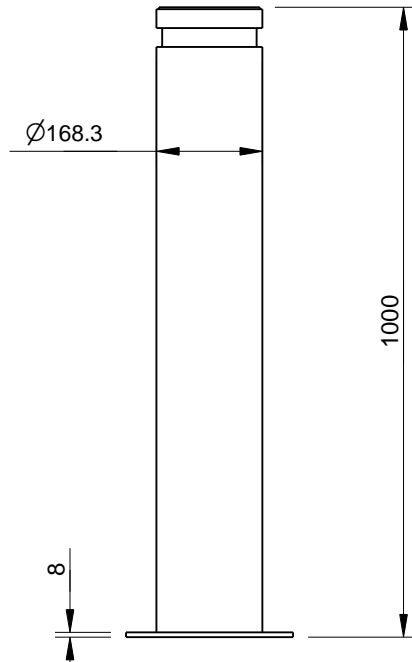
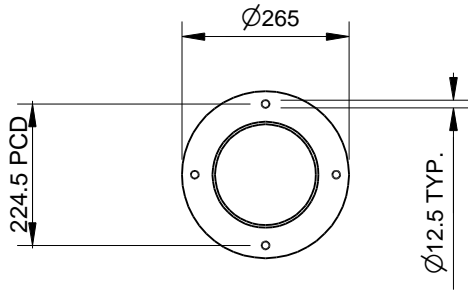
FFSB008026

REV. 2

SHEET 1 OF 2



Quality
ISO 9001
SAI GLOBAL



SPECIFICATION:

Material:
Mild steel

Dimensions:
All in mm unless otherwise stated

Finish:
Steel - Galvanised mild steel & optional powder coat
Reflective tape around recess.

Ground Fixings:
Bolt down

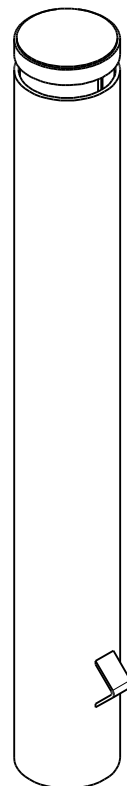
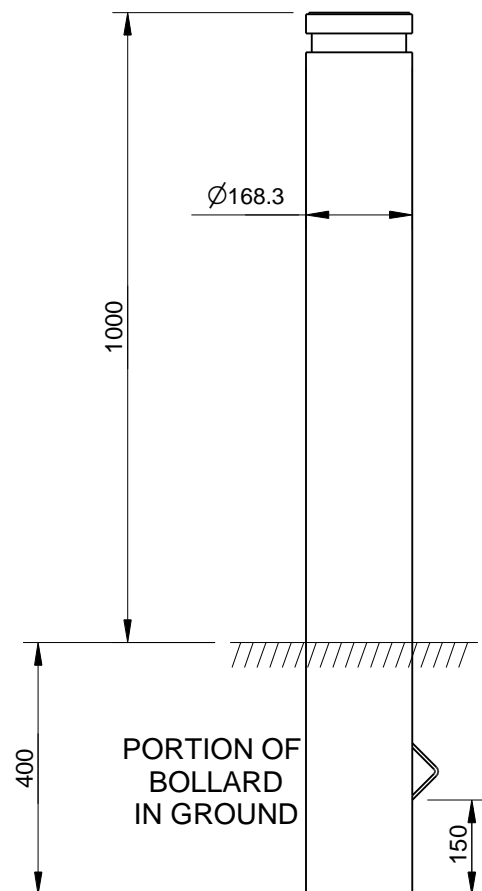


CONFIDENTIAL

REVISION	#	DESCRIPTION	BY	DATE	DRAWN	DRAWN DATE	CHECKED	CHECKED DATE	SCALE	A4
	1	ORIGINAL DRAWING	SJ	3.1.11	R.CRIGTON	6.1.14			N/A	
2	FULL PRODUCT REVIEW	RBC	6.1.14							
3										
4										
5										
								COGS BOLLARD (165mm) - BOLT DOWN SPEC.		
							FFSB008027	REV. 2	SHEET 1 OF 2	



Quality
ISO 9001
SAI GLOBAL



SPECIFICATION:

Material:
Mild steel

Dimensions:
All in mm unless otherwise stated

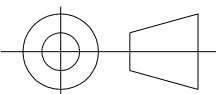
Finish:
Steel - Galvanised mild steel & optional powder coat
Reflective tape around recess.

Ground Fixings:
In ground



CONFIDENTIAL

REVISION #	DESCRIPTION	BY	DATE	DRAWN	DRAWN DATE	CHECKED	CHECKED DATE	SCALE	
								A4	
1	ORIGINAL DRAWING	SJ	3.1.11	R.CRIGTON	6.1.14			N/A	
2	FULL PRODUCT REVIEW	RBC	6.1.14					COGS BOLLARD (165mm) - IN GROUND SPEC.	
3									
4									
5									
						FFSB008028		REV. 2	SHEET 1 OF 2





Quality
ISO 9001



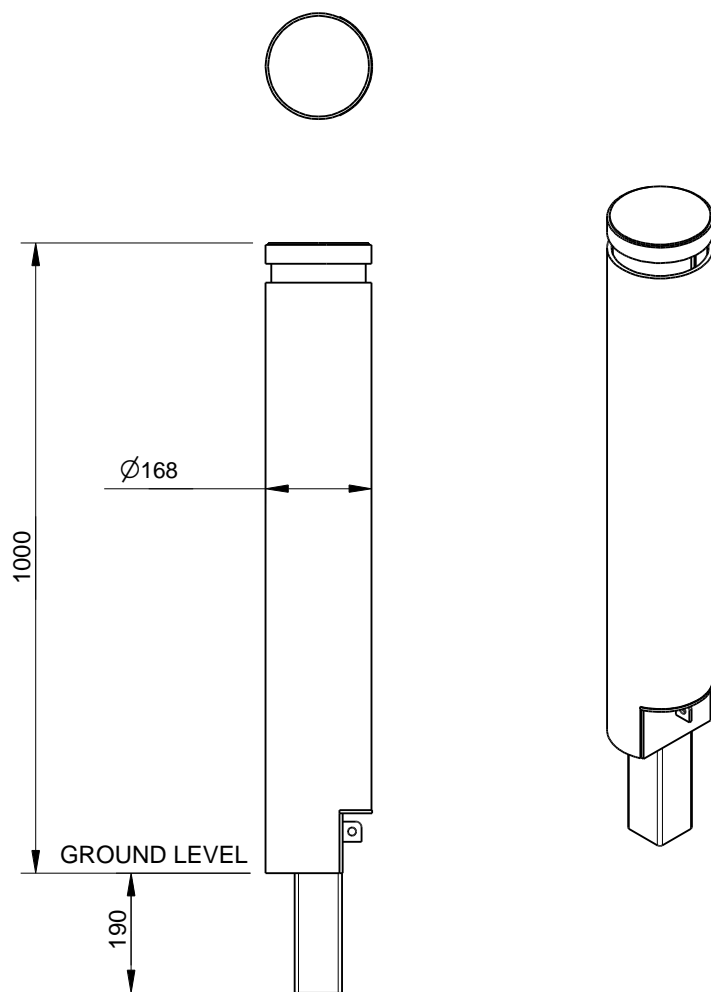
SPECIFICATION:

Material:
Mild steel

Dimensions:
All in mm unless otherwise stated

Finish:
Steel - Galvanised mild steel & optional powder coat
Reflective tape around recess.

Ground Fixings:
Removable.
Attaches to in ground component (FFSB008036)



CONFIDENTIAL

REVISION #	DESCRIPTION	BY	DATE	DRAWN	DRAWN DATE	CHECKED	CHECKED DATE	SCALE	
								A4	
1	ORIGINAL DRAWING	RBC	7.1.14	R.CRIGTON	7.1.14			N/A	
2									
3									
4									
5									
								COGS BOLLARD (165mm) - REMOVABLE SPEC. FFSB008029	



Quality
ISO 9001
SAI GLOBAL

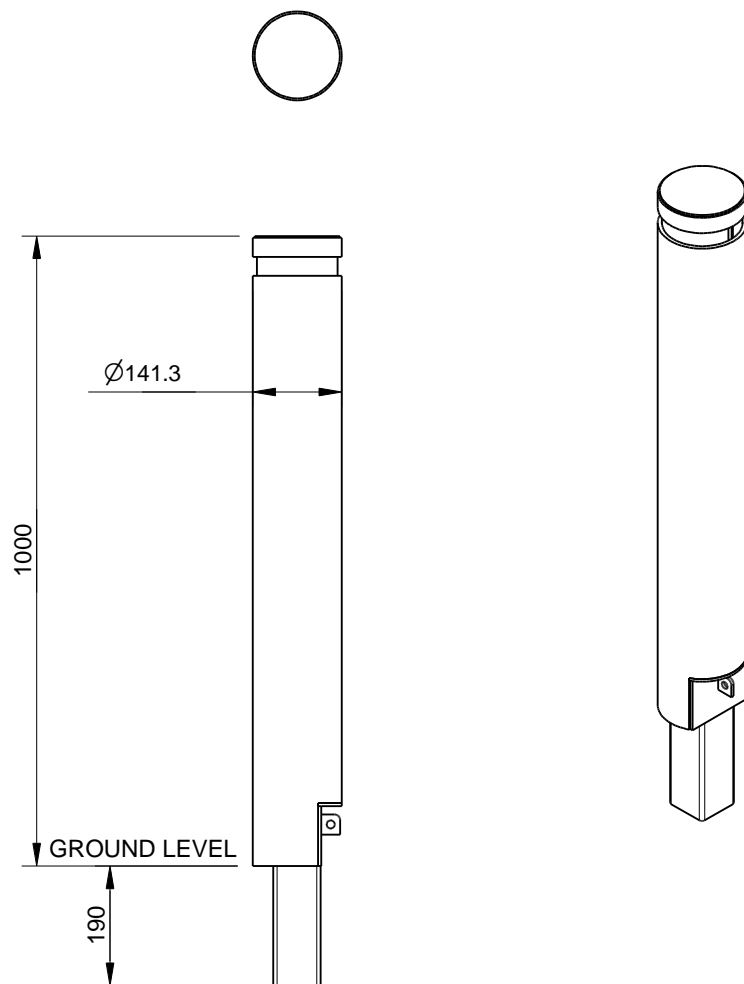
SPECIFICATION:

Material:
Mild steel

Dimensions:
All in mm unless otherwise stated

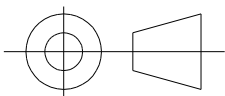
Finish:
Steel - Galvanised mild steel & optional powder coat
Reflective tape around recess.

Ground Fixings:
Removable.
Attaches to in ground component (FFSB008036)



CONFIDENTIAL

REVISION #	DESCRIPTION	BY	DATE	DRAWN	DRAWN DATE	CHECKED	CHECKED DATE	SCALE	
								A4	
1	ORIGINAL DRAWING	RBC	7.1.14	R.CRIGTON	7.1.14			N/A	
2									
3									
4									
5									
						COGS BOLLARD (140mm) - REMOVABLE SPEC.			
						FFSB008030		REV. 1	SHEET 1 OF 3





Quality
ISO 9001
SAI GLOBAL

SPECIFICATION:

Material:

Column & base - Mild steel
Cap - Recycled Aluminium

Dimensions:

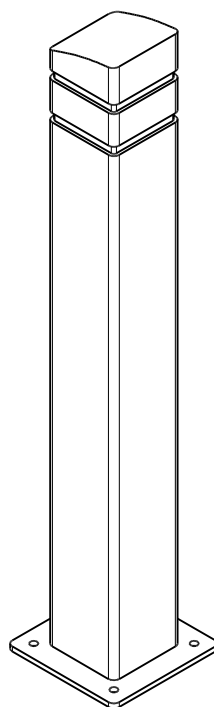
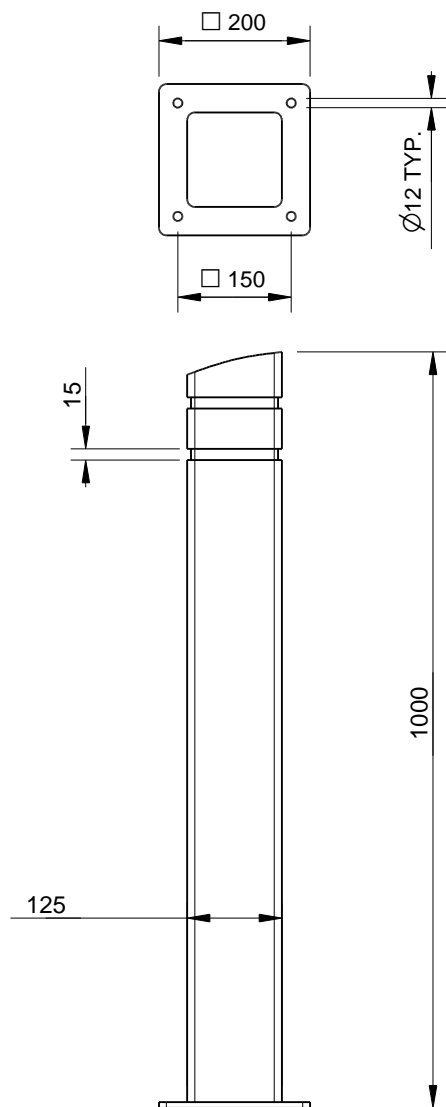
All in mm unless otherwise stated

Finish:

Steel - Galvanised mild steel & optional powder coat
Optional alternative coloured paint in recess.

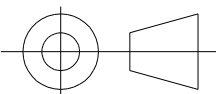
Ground Fixings:

Bolt down



CONFIDENTIAL

REVISION #	DESCRIPTION	BY	DATE	DRAWN	DRAWN DATE	CHECKED	CHECKED DATE	SCALE		A4
								N/A		
1	ORIGINAL DRAWING	SJ	3.1.11	R.CRIGTON	7.1.14					
2	FULL PRODUCT REVIEW	RBC	7.1.14					TRAVERSE BOLLARD - BOLT DOWN SPEC.		
3										
4										
5										



FFSB008033

REV.
2

SHEET
1 OF 2



Quality
ISO 9001
SAI GLOBAL

SPECIFICATION:

Material:

Column & base - Mild steel
Cap - Recycled Aluminium

Dimensions:

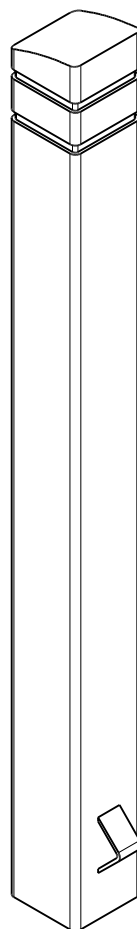
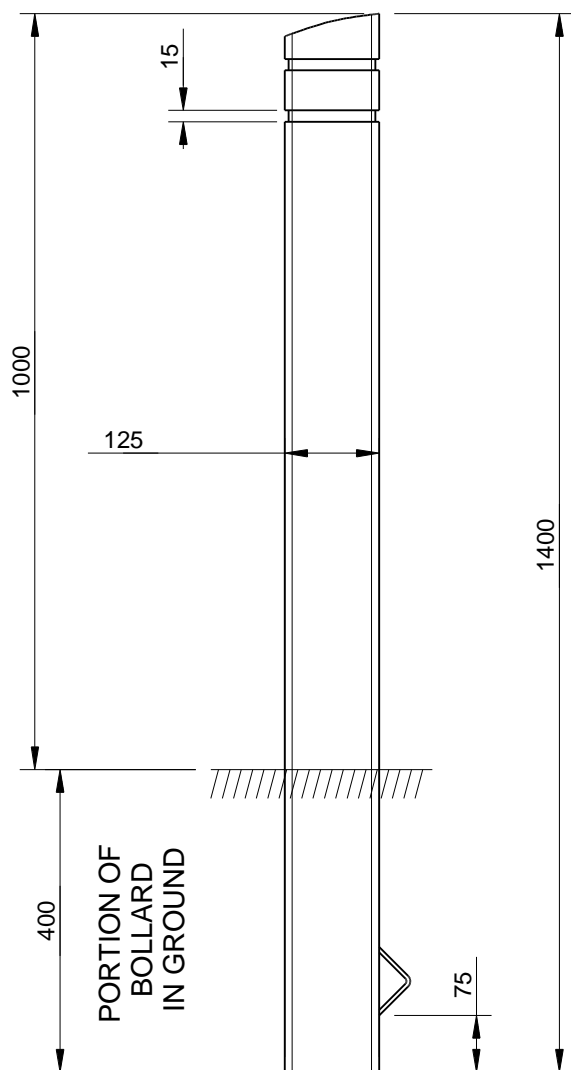
All in mm unless otherwise stated

Finish:

Steel - Galvanised mild steel & optional powder coat
Optional alternative coloured paint in recess.

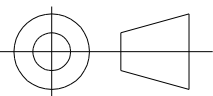
Ground Fixings:

In ground



CONFIDENTIAL

REVISION #	DESCRIPTION	BY	DATE	DRAWN	DRAWN DATE	CHECKED	CHECKED DATE	SCALE	A4
2	FULL PRODUCT REVIEW	RBC	8.1.14						
3									
4									
5									

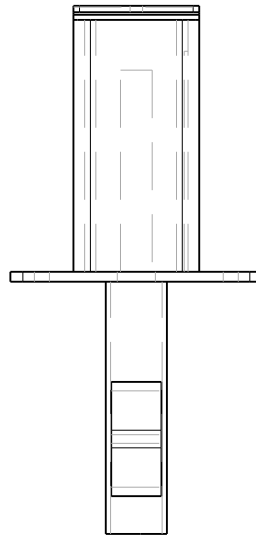
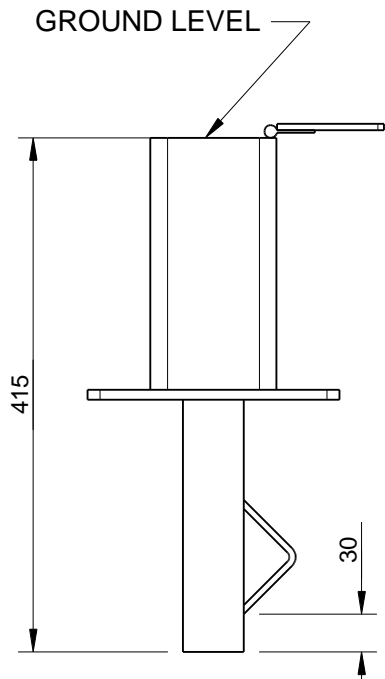
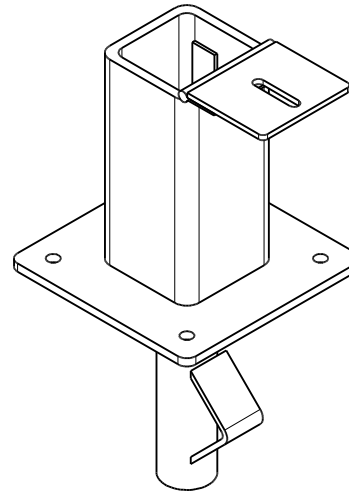
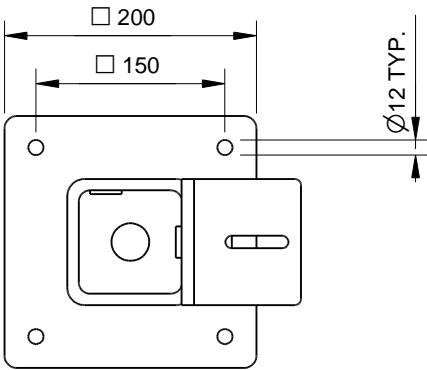


TRAVERSE BOLLARD - IN GROUND
SPEC.

FFSB008034

REV.
2

SHEET
1 OF 2



Quality
ISO 9001
SAI GLOBAL

SPECIFICATION:

Material:
Mild steel

Dimensions:
All in mm unless otherwise stated

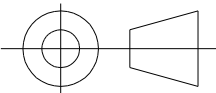
Finish:
Galvanised and optional powder coat

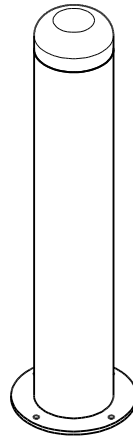
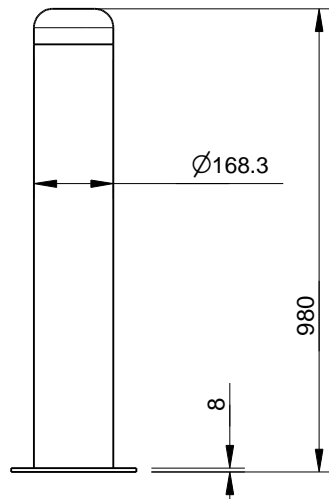
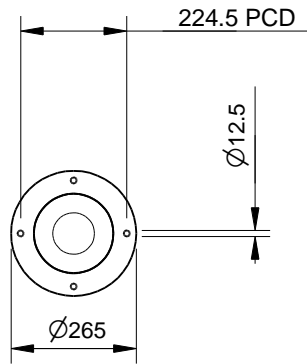
Ground Fixings:
In ground & Bolt down



CONFIDENTIAL

REVISION #	DESCRIPTION	BY	DATE	DRAWN	DRAWN DATE	CHECKED	CHECKED DATE	SCALE	A4
								N/A	
1	ORIGINAL DRAWING	SJ	1.1.10	R.CRIGTON	18.12.13				
2	FULL PRODUCT REVIEW	RBC	18.12.13						
3									
4									
5									
						REMOVABLE BOLLARD IN GROUND FIXTURE SPEC.			
						FFSB008036	REV. 2	SHEET 1 OF 2	





SPECIFICATION:

Material:
304 Stainless Steel

Dimensions:
All in mm unless otherwise stated

Finish:
Polished

Ground Fixings:
Bolt down

Removable attachment available (FFSC008005)
refer to FFSB008036 for details

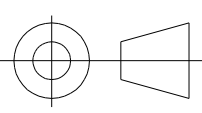



Quality
ISO 9001
SAI GLOBAL



CONFIDENTIAL

REVISION	#	DESCRIPTION	BY	DATE	DRAWN	DRAWN DATE	CHECKED	CHECKED DATE	SCALE	A4
	1	ORIGINAL DRAWING	SJ	3.1.11	R.CRIGTON	6.3.14			N/A	
2	FULL PRODUCT REVIEW	RBC	6.3.14							
3										
4										
5										



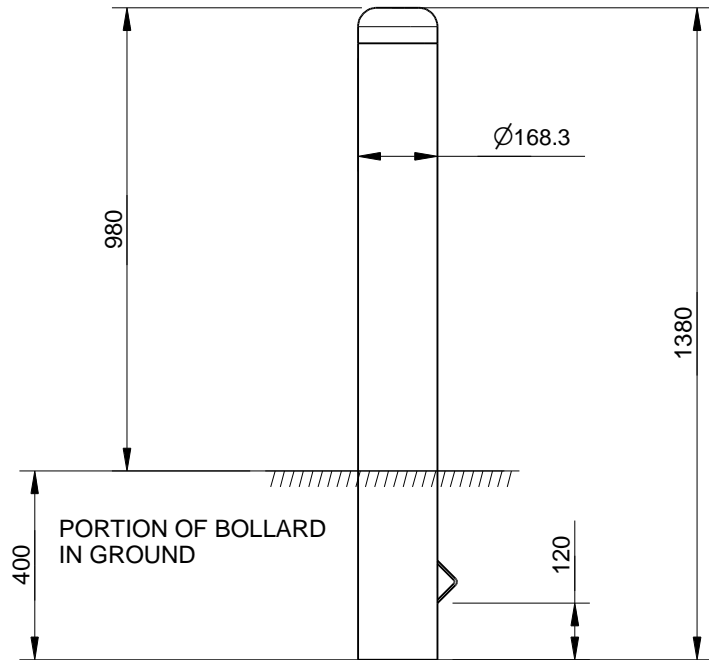
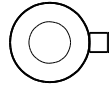


STAINLESS STEEL BOLLARD 150NB - BOLT DOWN SPEC.

FFSC008003

REV. 2

SHEET 1 OF 2



SPECIFICATION:

Material:
304 Stainless Steel

Dimensions:
All in mm unless otherwise stated

Finish:
Polished

Ground Fixings:
In Ground

Removable attachment available (FFSC008005)
refer to FFSD008036 for details

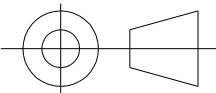


Quality
ISO 9001
SAI GLOBAL



CONFIDENTIAL

REVISION #	DESCRIPTION	BY	DATE	DRAWN	DRAWN DATE	CHECKED	CHECKED DATE	SCALE		A4
								N/A		
1	ORIGINAL DRAWING	SJ	3.1.11	R.CRIGTON	6.3.14					
2	FULL PRODUCT REVIEW	RBC	6.3.14							
3										
4										
5										
								STAINLESS STEEL BOLLARD 150NB - IN GROUND SPEC.		



STAINLESS STEEL BOLLARD 150NB - IN GROUND SPEC.

FFSC008004

REV. 2

SHEET 1 OF 2



Quality
ISO 9001
SAI GLOBAL

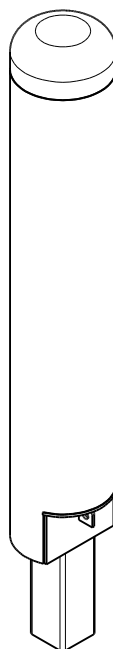
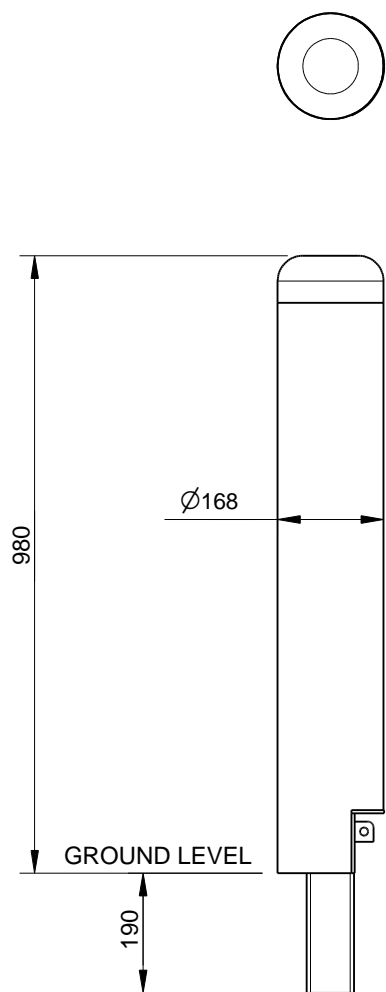
SPECIFICATION:

Material:
304 Stainless Steel

Dimensions:
All in mm unless otherwise stated

Finish:
Polished

Ground Fixings:
Removable.
Attaches to in ground component (FFSB008036)



CONFIDENTIAL

REVISION	#	DESCRIPTION	BY	DATE	DRAWN	DRAWN DATE	CHECKED	CHECKED DATE	SCALE
	1	1	ORIGINAL DRAWING	RBC	7.3.14	R.CRIGTON	7.3.14		
2	2								
3	3								
4	4								
5	5								

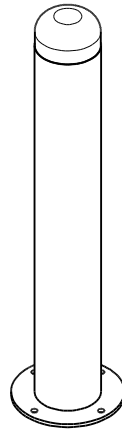
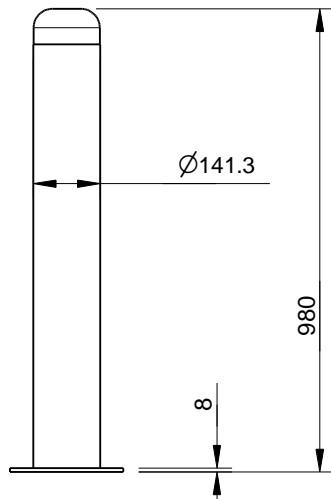
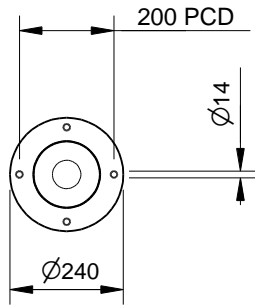
STAINLESS STEEL BOLLARD 150NB - REMOVABLE SPEC.

FFSC008005

REV. 1

SHEET 1 OF 3

A4



SPECIFICATION:

Material:
304 Stainless Steel

Dimensions:
All in mm unless otherwise stated

Finish:
Polished

Ground Fixings:
Bolt down

Removable attachment available (FFSC008010)
refer to FFSSB008036 for details

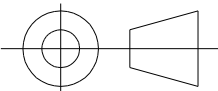


Quality
ISO 9001
SAI GLOBAL



CONFIDENTIAL

REVISION	#	DESCRIPTION	BY	DATE	DRAWN	DRAWN DATE	CHECKED	CHECKED DATE	SCALE	A4
	1	ORIGINAL DRAWING	SJ	3.1.11	R.CRIGTON	7.3.14			N/A	
2	FULL PRODUCT REVIEW	RBC	7.3.14							
3										
4										
5										

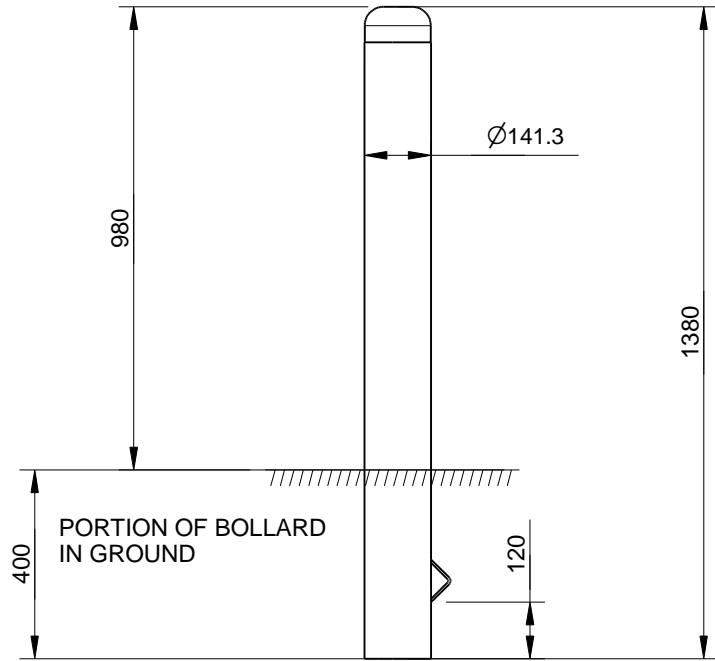


STAINLESS STEEL BOLLARD 125NB - BOLT DOWN SPEC.

FFSC008008

REV.
2

SHEET
1 OF 2



SPECIFICATION:

Material:
304 Stainless Steel

Dimensions:
All in mm unless otherwise stated

Finish:
Polished

Ground Fixings:
In Ground


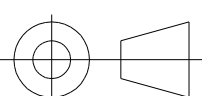
Removable attachment available (FFSC008010)
refer to FFSC008036 for details



Quality
ISO 9001
SAI GLOBAL



CONFIDENTIAL

REVISION #	DESCRIPTION	BY	DATE	DRAWN	DRAWN DATE	CHECKED	CHECKED DATE	SCALE	
								A4	
1	ORIGINAL DRAWING	SJ	3.1.11	R.CRIGTON	7.3.14			N/A	
2	FULL PRODUCT REVIEW	RBC	7.3.14						
3									
4									
5									
								STAINLESS STEEL BOLLARD 125NB - IN GROUND SPEC. FFSC008009	
									



Quality
ISO 9001
SAI GLOBAL

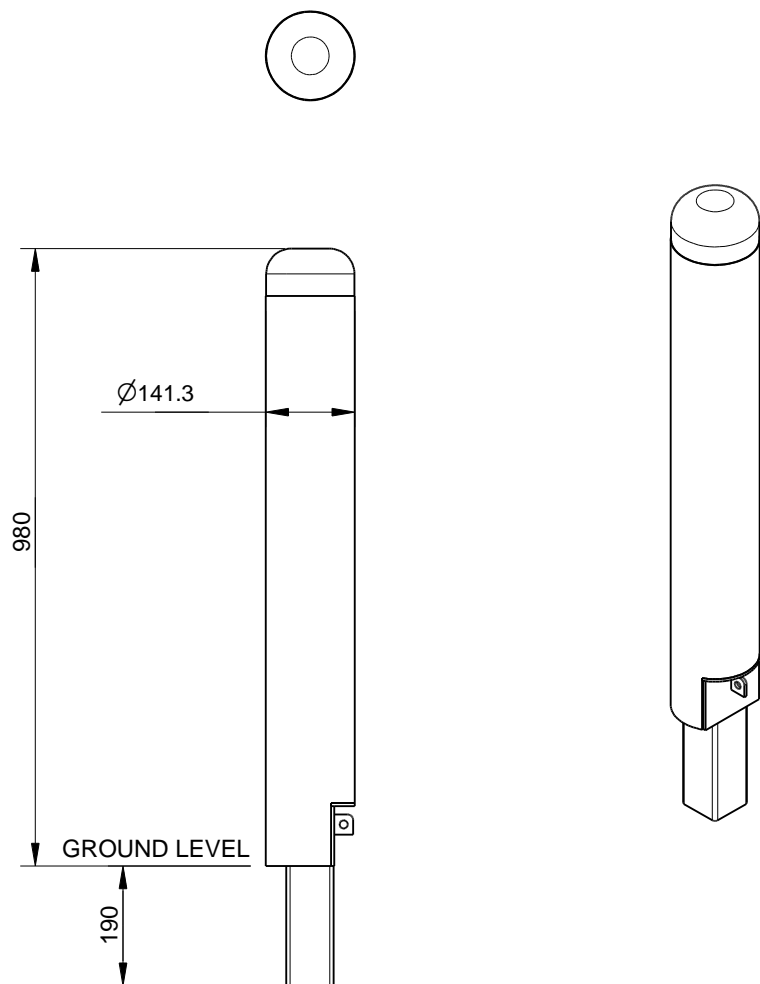
SPECIFICATION:

Material:
304 Stainless Steel

Dimensions:
All in mm unless otherwise stated

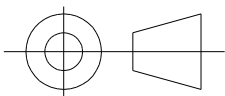
Finish:
Polished

Ground Fixings:
Removable.
Attaches to in ground component (FFSB008036)



CONFIDENTIAL

REVISION	#	DESCRIPTION	BY	DATE	DRAWN	DRAWN DATE	CHECKED	CHECKED DATE	SCALE	A4
	1	1	ORIGINAL DRAWING	RBC	7.3.14	R.CRIGTON	7.3.14			
2	2									
3	3									
4	4									
5	5									



STAINLESS STEEL BOLLARD 125NB - REMOVABLE SPEC.

FFSC008010

REV. 1

SHEET 1 OF 3



Quality
ISO 9001
SAI GLOBAL

SPECIFICATION:

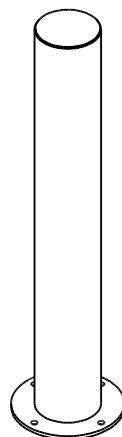
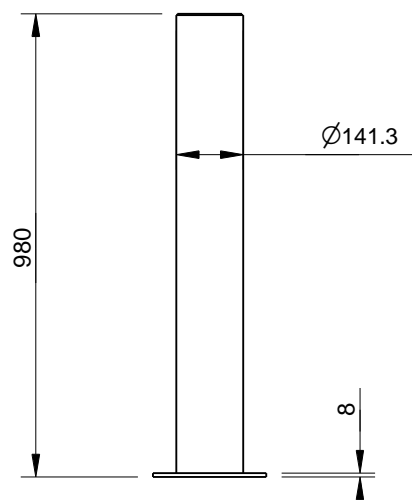
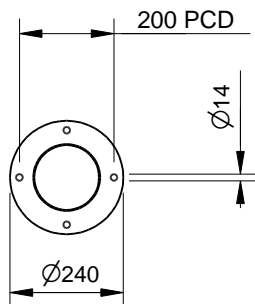
Material:
304 Stainless Steel

Dimensions:
All in mm unless otherwise stated

Finish:
Polished

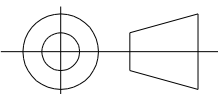
Ground Fixings:
Bolt down

Removable attachment available (FFSC008010)
refer to FFSB008036 for details



CONFIDENTIAL

REVISION #	DESCRIPTION	BY	DATE	DRAWN	DRAWN DATE	CHECKED	CHECKED DATE	SCALE
								A4
1	ORIGINAL DRAWING	RBC	10.3.14	R.CRIGTON	10.3.14			N/A
2								
3								
4								
5								

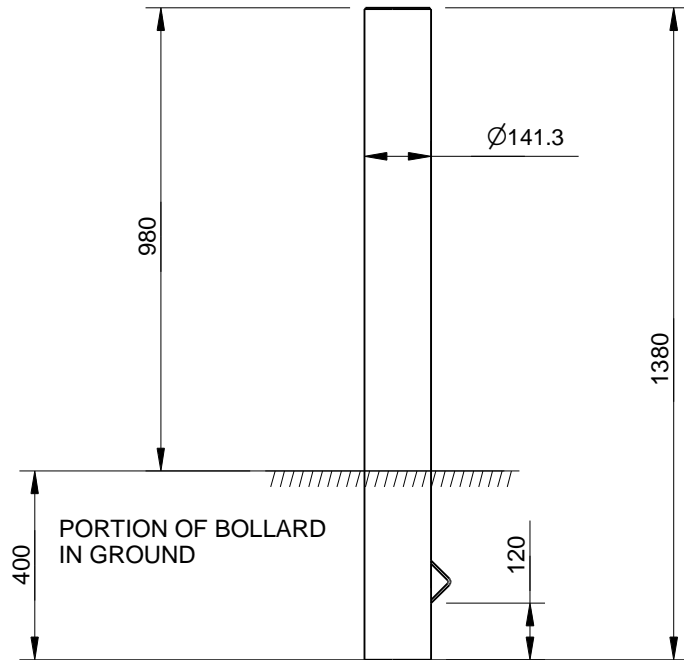


STAINLESS STEEL BOLLARD 125NB (FLAT TOP)
- BOLT DOWN - SPEC.

FFSC008011

REV.
1

SHEET
1 OF 2



Quality
ISO 9001
SAI GLOBAL

SPECIFICATION:

Material:
304 Stainless Steel

Dimensions:
All in mm unless otherwise stated

Finish:
Polished

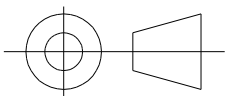
Ground Fixings:
In Ground

Removable attachment available (FFSC008010)
refer to FFSC008036 for details



CONFIDENTIAL

REVISION #	DESCRIPTION	BY	DATE	DRAWN	DRAWN DATE	CHECKED	CHECKED DATE	SCALE
								A4
1	ORIGINAL DRAWING	RBC	10.3.14	R.CRIGTON	10.3.14			N/A
2								
3								
4								
5								



STAINLESS STEEL BOLLARD 125NB (FLAT TOP)
- IN GROUND - SPEC.

FFSC008012

REV. 1

SHEET 1 OF 2