

## SPECIFICATION:

### MATERIAL:

Main construction - 304 Stainless steel  
 (Also available in MS)  
 Fixings - Stainless steel

### DIMENSIONS:

mm unless otherwise stated

### FINISH:

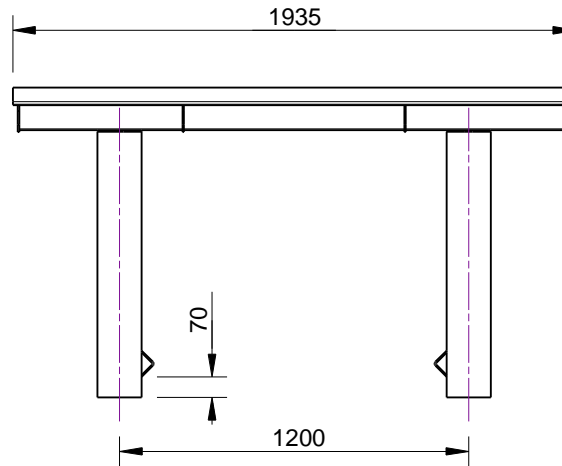
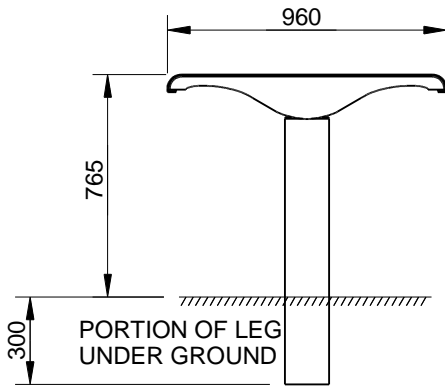
No.4 Polished

### GROUND ATTACHEMENT:

In ground



Quality  
 ISO 9001



CONFIDENTIAL

REVISION #	DESCRIPTION	BY	DATE	DRAWN	DRAWN DATE	CHECKED	CHECKED DATE	SCALE	A4
								N/A	
1	ORIGINAL DRAWING	DN	10.11.10	R.CRIGTON	6.2.14				
2	FULL PRODUCT REVIEW	RBC	6.2.14						
3									
4									
5									

LYNDARUM TABLE - IN GROUND SPEC.

FFSC003002

REV. 2

SHEET 1 OF 3