

SPECIFICATION:

MATERIAL:

Main construction - 304 Stainless steel
 (Also available in MS)
 Fixings - Stainless steel

DIMENSIONS:

mm unless otherwise stated

FINISH:

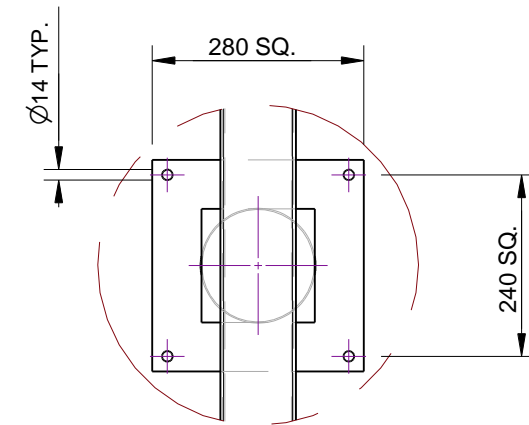
No.4 Polished

GROUND ATTACHEMENT:

Bolt down



Quality
 ISO 9001

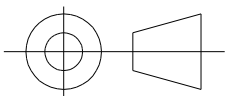


Detail A
 BOLT DOWN DETAIL
 TOP REMOVED
 FOR CLARITY



CONFIDENTIAL

REVISION #	DESCRIPTION	BY	DATE	DRAWN	DRAWN DATE	CHECKED	CHECKED DATE	SCALE	A4
2	FULL PRODUCT REVIEW	RBC	5.2.14						
3									
4									
5									



LYNDARUM TABLE - BOLT DOWN SPEC.
 FFSC003001
 REV. 2
 SHEET 1 OF 3