

SPECIFICATION:

MATERIALS:

Mild steel unless stated otherwise
 Slats - Hardwood Timber 63x30mm
 Fixings - Stainless Steel or Galvanised Steel

DIMENSIONS:

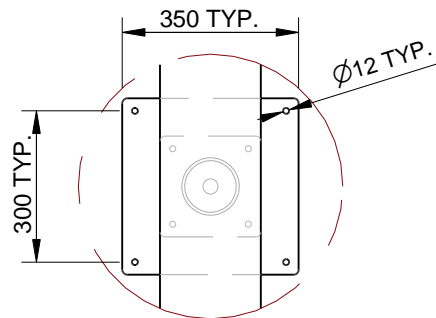
mm unless otherwise stated

FINISH:

Steel - Galvanised and optional Powder Coat
 Timber - Oil Based

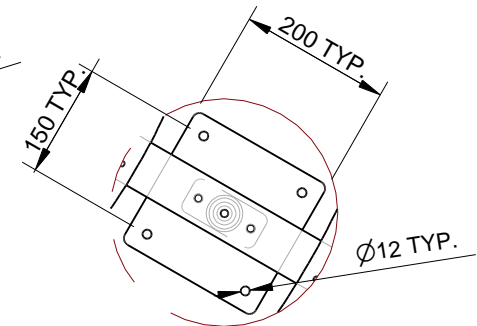
GROUND FIXINGS:

Bolt down



Detail A

TABLE BOLT DOWN DETAIL
 TIMBER SLATS REMOVED
 FOR CLARRITY



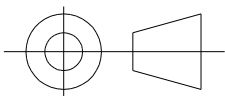
Detail B

BENCH BOLT DOWN DETAIL
 TIMBER SLATS REMOVED
 FOR CLARRITY



CONFIDENTIAL

REVISION #	DESCRIPTION	BY	DATE	DRAWN	DRAWN DATE	CHECKED	CHECKED DATE	SCALE
								A4
1	ORIGINAL DRAWING	RBC	19.11.13	R.CRIGTON	19.11.13			N/A
2								
3								
4								
5								



WOODGROVE CIRCULAR SETTING (1500-2380 OD)
 - BOLT DOWN -SPEC.

FFSB004028

REV. 1 SHEET 1 OF 2