

## SPECIFICATION:

### MATERIALS:

Mild steel unless stated otherwise  
 Slats - Hardwood Timber 63x30mm  
 Fixings - Stainless Steel or Galvanised Steel

### DIMENSIONS:

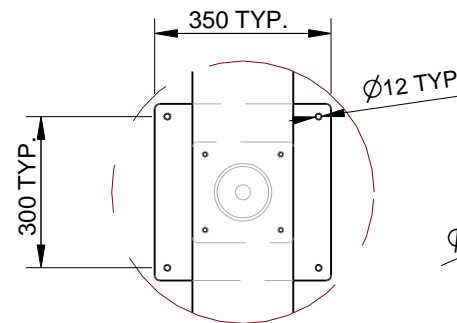
mm unless otherwise stated

### FINISH:

Steel - Galvanised and optional Powder Coat  
 Timber - Oil Based

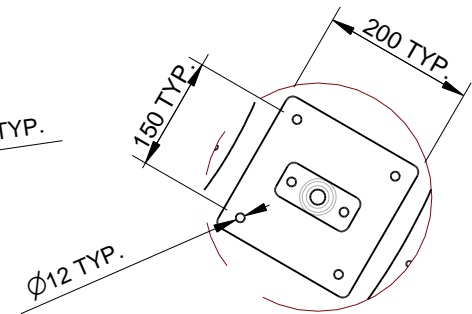
### GROUND FIXINGS:

Bolt down



Detail A

TABLE BOLT DOWN DETAIL  
 TIMBER SLATS REMOVED  
 FOR CLARRITY



Detail B

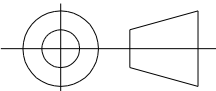
BENCH BOLT DOWN DETAIL  
 TIMBER SLATS REMOVED  
 FOR CLARRITY



copyright

CONFIDENTIAL

REVISION #	DESCRIPTION	BY	DATE	DRAWN	DRAWN DATE	CHECKED	CHECKED DATE	SCALE	
								A4	
1	ORIGINAL DRAWING	RBC	18.11.13	R.CRIGTON				N/A	
2									
3									
4									
5									



WOODGROVE CIRCULAR SETTING (1000-1800 OD)  
 - BOLT DOWN - SPEC.

FFSB004024

REV. 1

SHEET 18.11.13