

SPECIFICATION:

MATERIALS:

Mild steel unless stated otherwise

Slats - Hardwood Timber 63x30mm

Fixings - Stainless Steel or Galvanised Steel

DIMENSIONS:

mm unless otherwise stated

FINISH:

Steel - Galvanised and optional Powder Coat

Timber - Oil Based

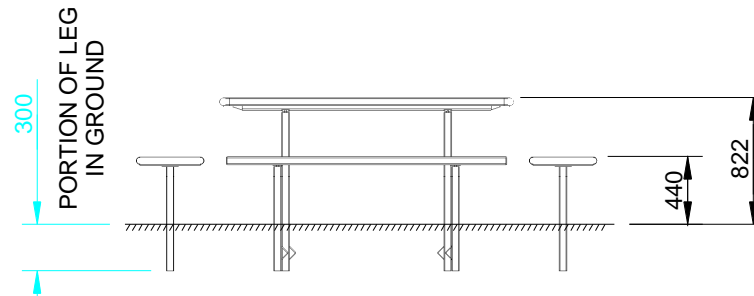
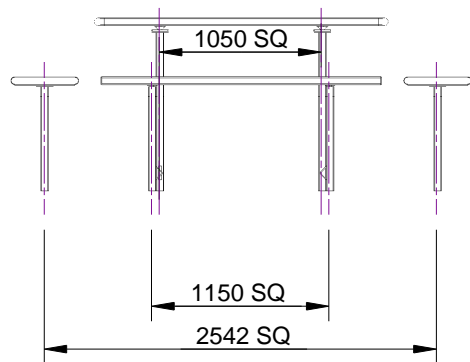
GROUND FIXINGS:

In Ground



Quality

ISO 9001



copyright

CONFIDENTIAL

REVISION	#	DESCRIPTION	BY	DATE	DRAWN	DRAWN DATE	CHECKED	CHECKED DATE	SCALE	A4
	1	ORIGINAL DRAWING	DN	1.9.10	R.CRIGTON	13.11.13			N/A	
2	FULL PRODUCT REVIEW	RBC	13.11.13							
3										
4										
5										
						WOODGROVE SQUARE SETTING - IN GROUND SPEC.				
						FFSB004016	REV. 2	SHEET 1 OF 2		