

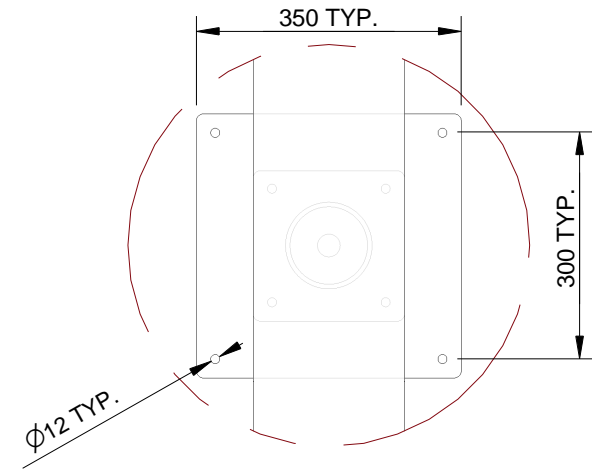
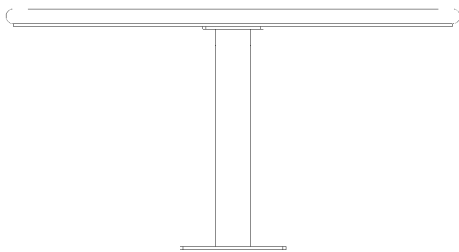
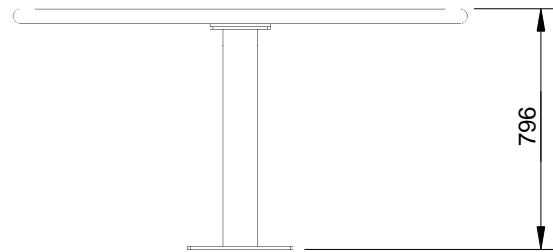
# SPECIFICATION:

**Material:**  
Mild steel unless otherwise stated  
Slats: Hardwood Timber 63x30mm

**Dimensions:**  
All in mm unless otherwise stated

**Finish:**  
Steel - Galvanised and optional Powder Coat  
Timber - Oil Based

**Ground Fixings:**  
Bolt down



DETAIL A  
TIMBER SLATS REMOVED FOR CLARRITY

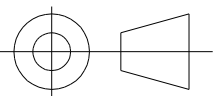


Quality  
ISO 9001  
SAI GLOBAL



CONFIDENTIAL

| REVISION | # | DESCRIPTION | BY               | DATE | DRAWN    | DRAWN DATE | CHECKED  | CHECKED DATE | SCALE | A4 |
|----------|---|-------------|------------------|------|----------|------------|----------|--------------|-------|----|
|          | 1 | 1           | ORIGINAL DRAWING | RBC  | 19.11.13 | R.CRIGTON  | 19.11.13 |              |       |    |
| 2        | 2 |             |                  |      |          |            |          |              |       |    |
| 3        | 3 |             |                  |      |          |            |          |              |       |    |
| 4        | 4 |             |                  |      |          |            |          |              |       |    |
| 5        | 5 |             |                  |      |          |            |          |              |       |    |



WOODGROVE CIRCULAR TABLE (1500 OD)  
- BOLT DOWN - SPEC.

FFSB003030

REV. 1

SHEET 1 OF 3