



Quality  
ISO 9001  
SAI GLOBAL

# SPECIFICATION:

**Material:**

Mild steel unless otherwise stated  
Slats: Hardwood Timber 63x30mm

**Dimensions:**

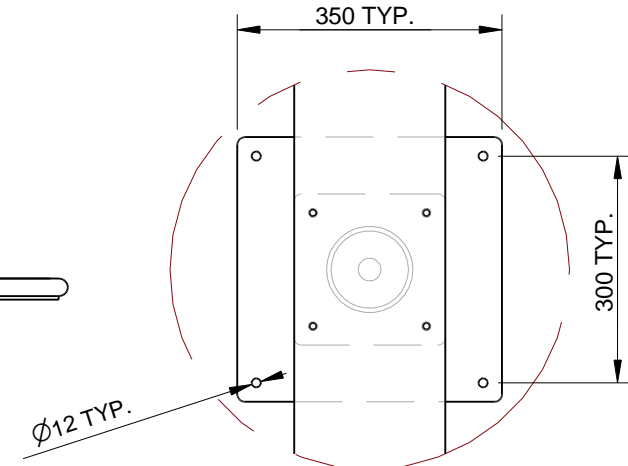
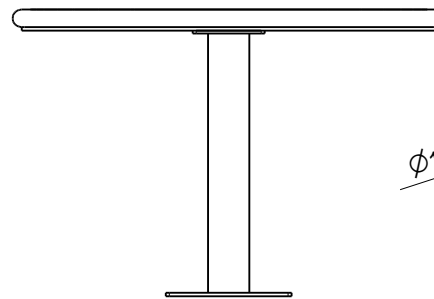
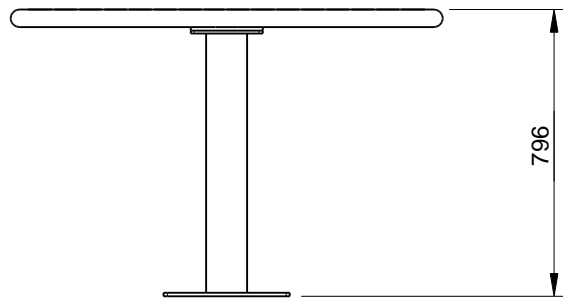
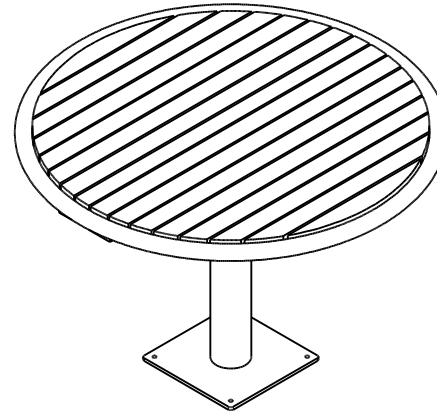
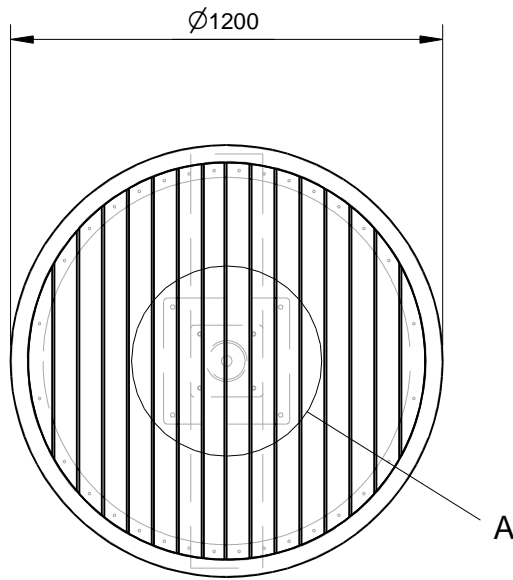
All in mm unless otherwise stated

**Finish:**

Steel - Galvanised and optional Powder Coat  
Timber - Oil Based

**Ground Fixings:**

Bolt down

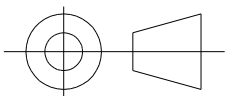


DETAIL A  
TIMBER SLATS REMOVED FOR CLARRITY



CONFIDENTIAL

REVISION #	DESCRIPTION	BY	DATE	DRAWN	DRAWN DATE	CHECKED	CHECKED DATE	SCALE
								A4
1	ORIGINAL DRAWING	RBC	19.11.13	R.CRIGTON	19.11.13			N/A
2								
3								
4								
5								



WOODGROVE CIRCULAR TABLE (1200 OD)  
- BOLT DOWN - SPEC.

FFSB003029

REV. 1

SHEET 1 OF 3