

SPECIFICATION:

MATERIAL:

Mild steel unless otherwise stated
Slats - Hardwood timber 63x30mm

DIMENSIONS:

All in mm unless otherwise stated

FINISH:

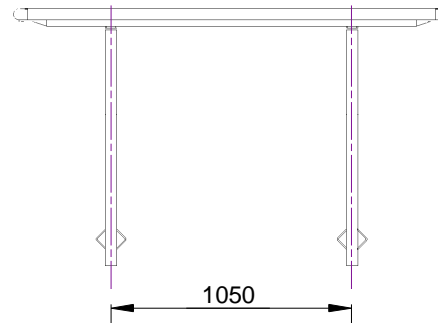
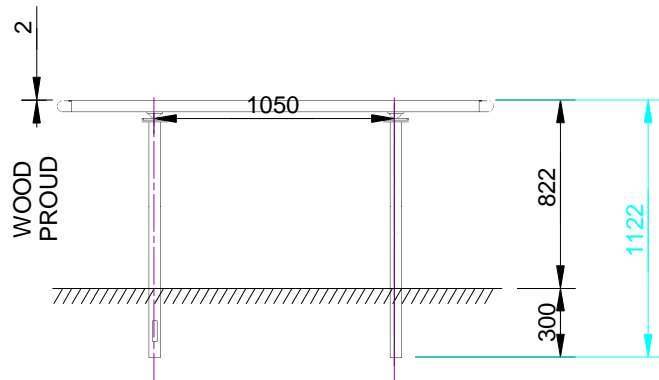
Steel - Galvanised and optional Powder Coat
Timber - Oil Based

GROUND FIXINGS:

In Ground



Quality
ISO 9001
SAI GLOBAL



© copyright

CONFIDENTIAL

REVISION	#	DESCRIPTION	BY	DATE	DRAWN	DRAWN DATE	CHECKED	CHECKED DATE	SCALE	A4
	1	1	ORIGINAL DRAWING	RBC	12.11.13	R.CRIGTON	12.11.13			
2	2						WOODGROVE SQUARE TABLE - IN GROUND SPEC.			
3	3									
4	4						FFSB003027		REV. 1	SHEET 1 OF 3
5	5									

