

# SPECIFICATION:

## MATERIAL:

Mild steel unless otherwise stated  
Slats - Hardwood timber 63x30mm

## DIMENSIONS:

All in mm unless otherwise stated

## FINISH:

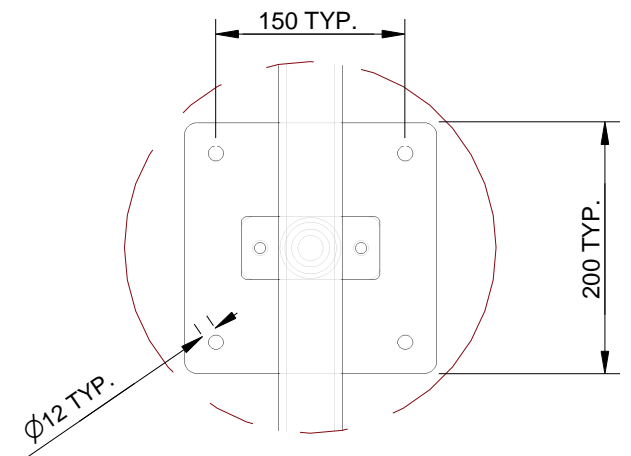
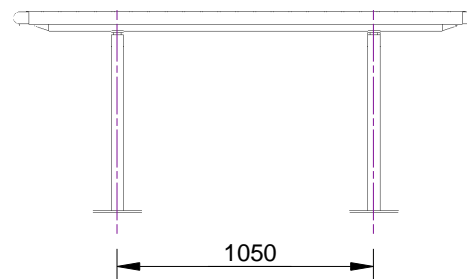
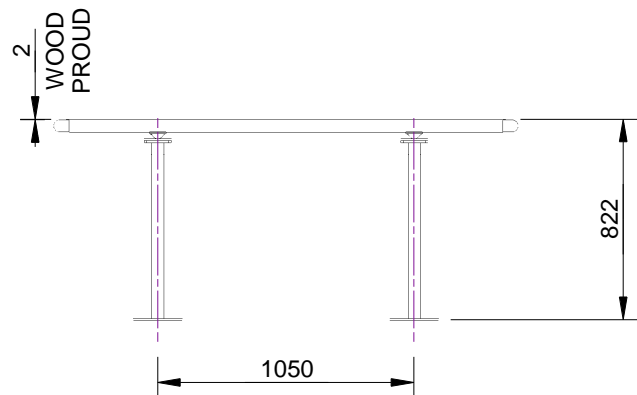
Steel - Galvanised and optional Powder Coat  
Timber - Oil Based

## GROUND FIXINGS:

Bolt down



Quality  
ISO 9001

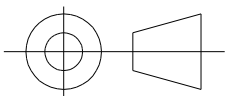


DETAIL A  
TIMBER SLATS REMOVED  
FOR CARRY



CONFIDENTIAL

REVISION	#	DESCRIPTION	BY	DATE	DRAWN	DRAWN DATE	CHECKED	CHECKED DATE	SCALE	A4
	1	1	ORIGINAL DRAWING	RBC	12.11.13	R.CRIGTON	12.11.13			
2	2									
3	3									
4	4									
5	5									



WOODGROVE SQUARE TABLE - BOLT DOWN SPEC.

FFSB003026

REV. 1

SHEET 1 OF 3