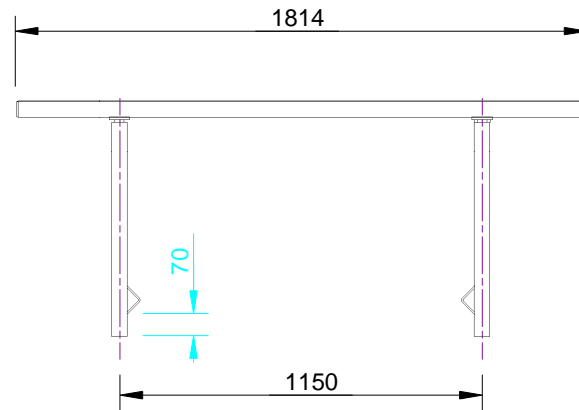


PORION OF LEG
IN GROUND



SPECIFICATION:

MATERIAL:

Mild steel unless otherwise stated
Slats - Hardwood timber 63x30mm

DIMENSIONS:

All in mm unless otherwise stated

FINISH:

Steel - Galvanised and optional Powder Coat
Timber - Oil Based

GROUND FIXINGS:

In Ground



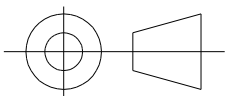
Quality
ISO 9001



copyright

CONFIDENTIAL

| REVISION | # | DESCRIPTION | BY | DATE | DRAWN | DRAWN DATE | CHECKED | CHECKED DATE | SCALE | A4 |
|----------|---|-------------|------------------|------|----------|------------|----------|--------------|-------|----|
| | 1 | 1 | ORIGINAL DRAWING | RBC | 13.11.13 | R.CRIGTON | 13.11.13 | | | |
| 2 | 2 | | | | | | | | | |
| 3 | 3 | | | | | | | | | |
| 4 | 4 | | | | | | | | | |
| 5 | 5 | | | | | | | | | |



WOODGROVE RECTANGULAR PLATFORM
- IN GROUND - SPEC.

FFSB003023

REV.
1

SHEET
1 OF 3