

# SPECIFICATION:

**Material:**

Mild steel unless otherwise stated  
Slats - Hardwood timber 63x30mm

**Dimensions:**

All in mm unless otherwise stated

**Finish:**

Steel - Galvanised and optional Powder Coat  
Timber - Oil Based

**Weight:**

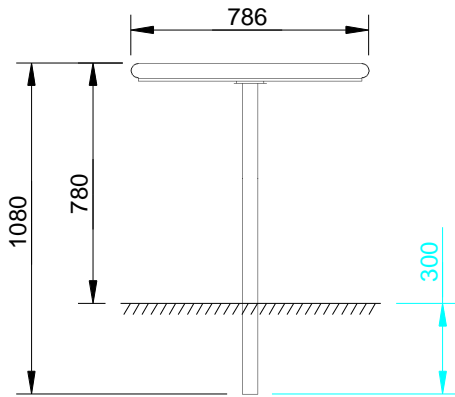
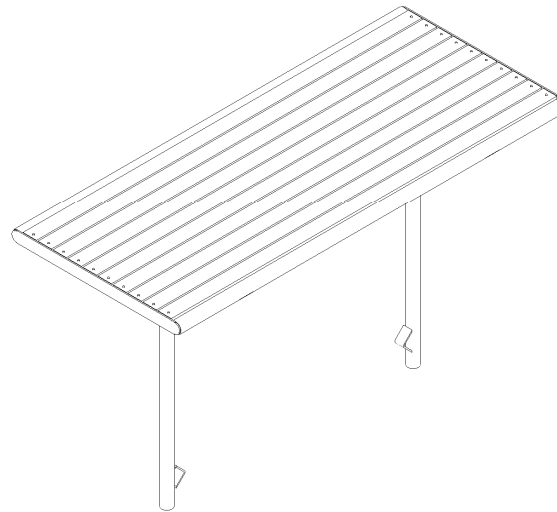
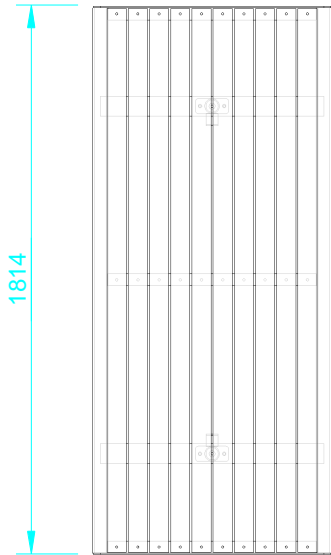
50kg Approx.

**Ground Fixings:**

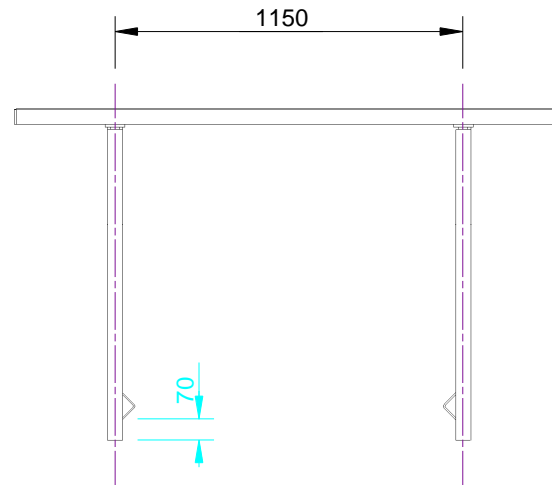
In Ground



Quality  
ISO 9001



PORTION OF LEG  
IN GROUND



CONFIDENTIAL

REVISION #	DESCRIPTION	BY	DATE	DRAWN	DRAWN DATE	CHECKED	CHECKED DATE	SCALE	A4
								N/A	
1	ORIGINAL DRAWING	DN	19.8.10	R.CRIGTON	4.11.13				
2	FULL PRODUCT REVIEW	RBC	4.11.13						
3									
4									
5									

WOODGROVE TABLE - IN GROUND  
SPEC.

FFSB003005

REV. 2

SHEET 1 OF 3