

SPECIFICATION:

Material:
Mild steel unless otherwise stated
Slats: Hardwood Timber 63x30mm

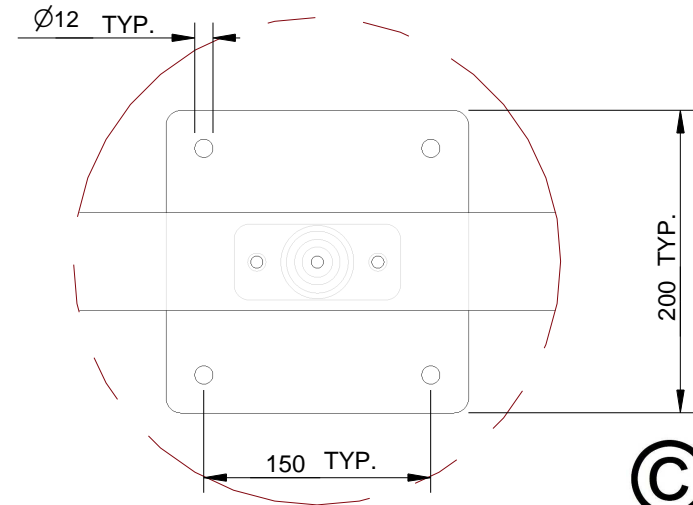
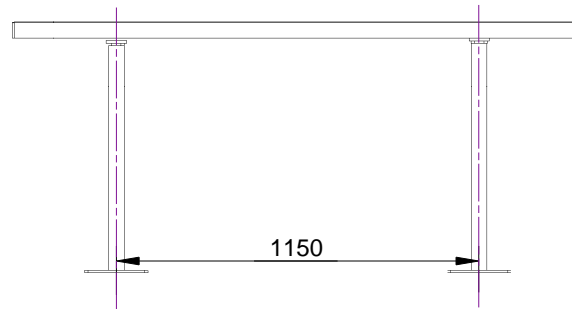
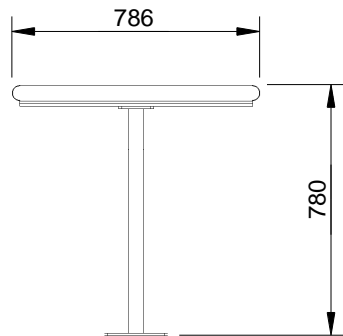
Dimensions:
All in mm unless otherwise stated

Finish:
Steel - Galvanised and optional Powder Coat
Timber - Oil Based

Ground Fixings:
Bolt down

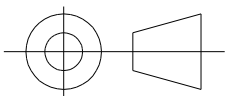


Quality
ISO 9001
SAI GLOBAL



CONFIDENTIAL

REVISION #	DESCRIPTION	BY	DATE	DRAWN	DRAWN DATE	CHECKED	CHECKED DATE	SCALE	A4
2	FULL PRODUCT REVIEW	RBC	4.11.13						
3									
4									
5									



WOODGROVE TABLE - BOLT DOWN SPEC.

FFSB003004

REV. 2

SHEET 1 OF 3