

SPECIFICATION:

Material:
Frame & Slats: Mild Steel Construction

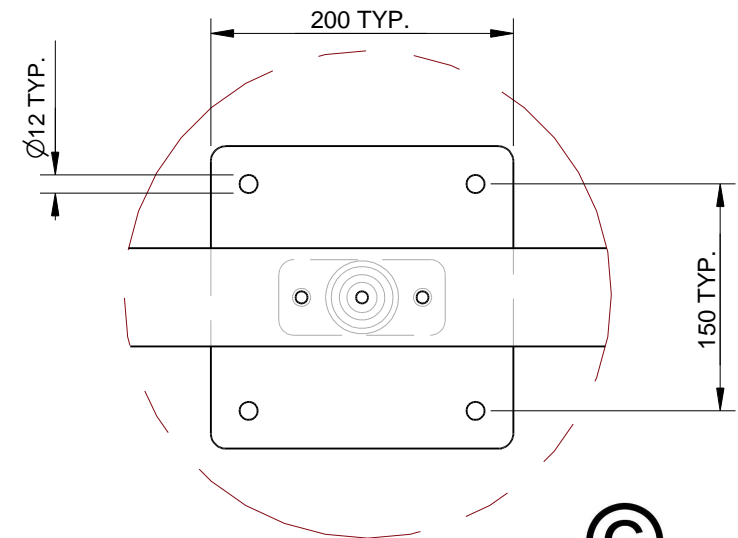
Dimensions:
All in mm unless otherwise stated

Finish:
Steel - Galvanised and optional Powder Coat

Ground Fixings:
Bolt Down



Quality
ISO 9001
SAI GLOBAL



DETAIL A
SLATS REMOVED
FOR CLARITY

© copyright
CONFIDENTIAL

REVISION #	DESCRIPTION	BY	DATE	DRAWN	DRAWN DATE	CHECKED	CHECKED DATE	SCALE		A4
								N/A		
1	ORIGINAL DRAWING	DN	20.7.10	R.CRIGTON	12.12.13					
2	FULL PRODUCT REVIEW	RBC	12.12.13							
3										
4										
5										
						STEEL SLATTED TABLE - BOLT DOWN SPEC.				