



Quality
ISO 9001
SAI GLOBAL

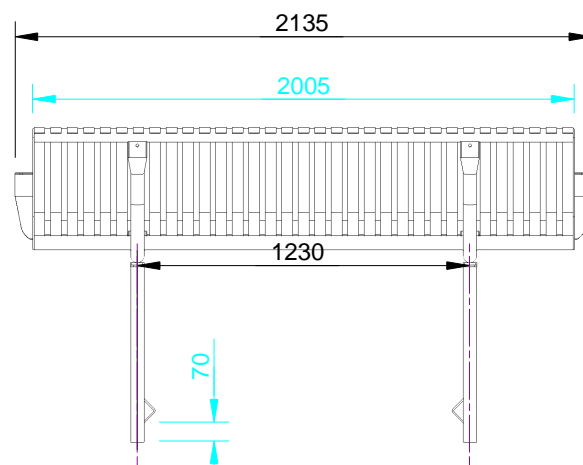
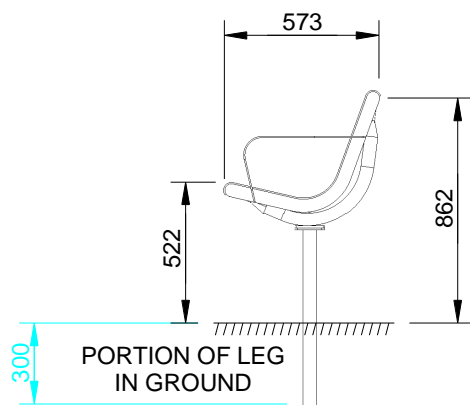
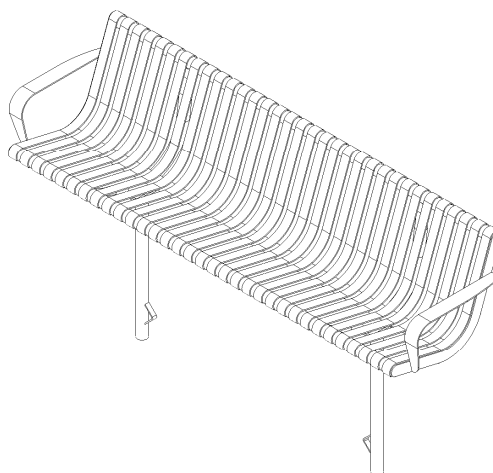
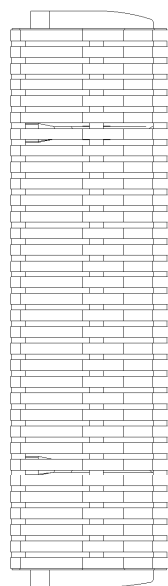
SPECIFICATION:

Material:
Frame & Slats: Mild Steel Construction

Dimensions:
All in mm unless otherwise stated

Finish:
Steel - Galvanised and optional Powder Coat

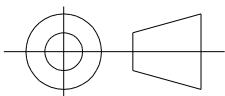
Ground Fixings:
In ground



© copyright

CONFIDENTIAL

REVISION #	DESCRIPTION	BY	DATE	DRAWN	DRAWN DATE	CHECKED	CHECKED DATE	SCALE	A4
								N/A	
1	ORIGINAL DRAWING	DN	14.7.10	R.CRIGTON	11.12.13				
2	FULL PRODUCT REVIEW	RBC	11.12.13						
3									
4									
5									



STEEL SLATTED SEAT (ARM RESTS) - IN GROUND SPEC.

FFSB002012

REV. 2

SHEET 1 OF 2