

# SPECIFICATION:

**Material:**  
Frame & Slats: Mild Steel Construction

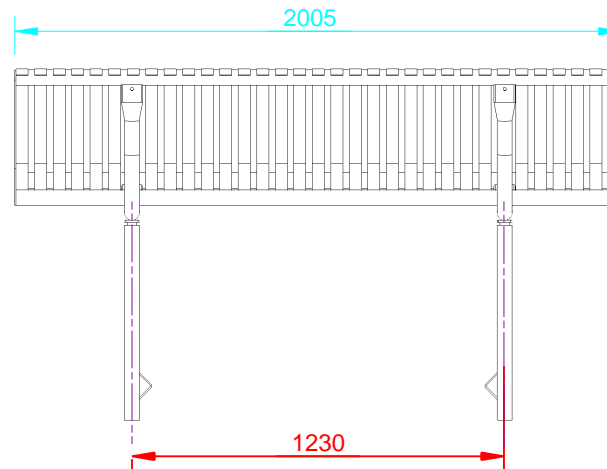
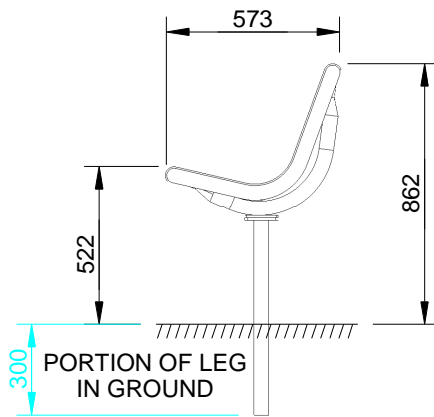
**Dimensions:**  
All in mm unless otherwise stated

**Finish:**  
Steel - Galvanised and optional Powder Coat

**Ground Fixings:**  
In ground



Quality  
ISO 9001  
SAI GLOBAL



© copyright  
CONFIDENTIAL

REVISION #	DESCRIPTION	BY	DATE	DRAWN	DRAWN DATE	CHECKED	CHECKED DATE	SCALE		A4
								N/A		
1	ORIGINAL DRAWING	DN	14.7.10	R.CRIGTON	11.12.13					
2	FULL PRODUCT REVIEW	RBC	11.12.13					STEEL SLATTED SEAT - IN GROUND SPEC.		
3										
4										
5										
							FFSB002011		REV. 2	SHEET 1 OF 2