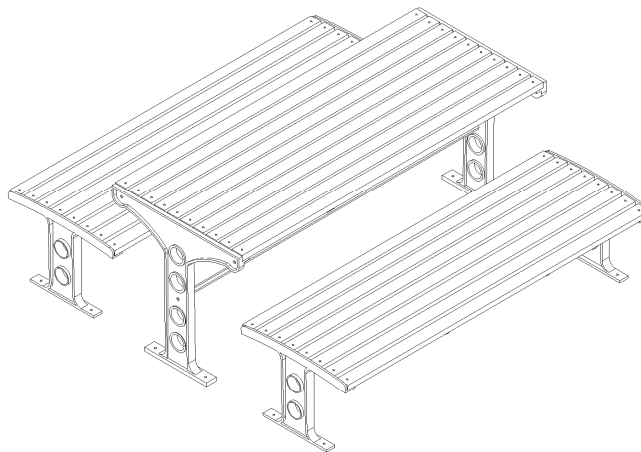
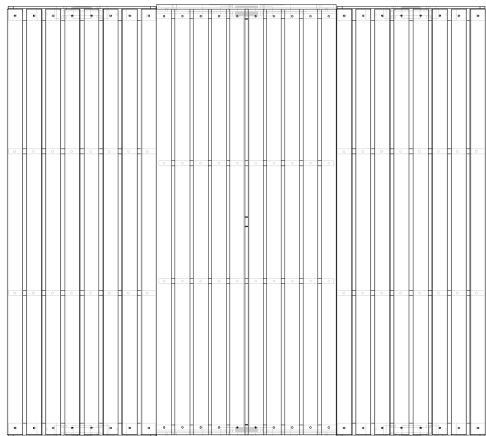




Quality
ISO 9001
SAI GLOBAL



SPECIFICATION:

MATERIALS:

Main construction - Cast Aluminium
Slats - Harwood Timber
Pipes & Brace - Mild Steel
Strap - Mild Steel

DIMENSIONS:

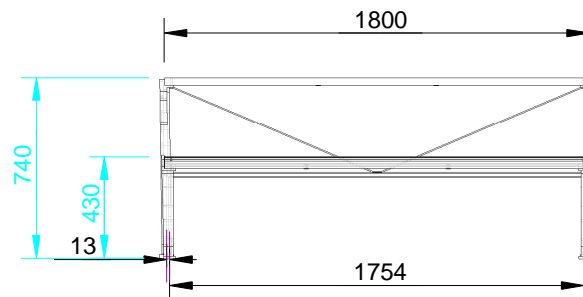
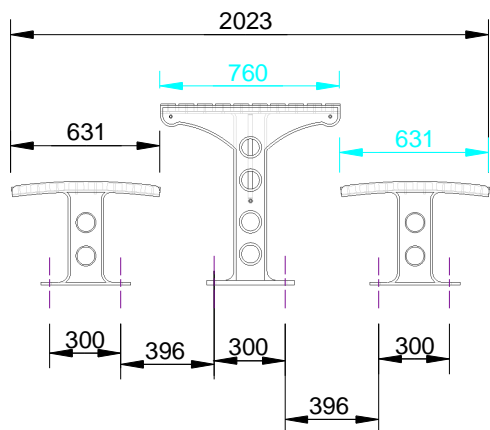
mm unless otherwise stated

FINISH:

Castings - Milled or Powder coat (optional)
Timbers - Oil Based
Pipes & Brace - Powder coat

GROUND FIXINGS:

Bolt down



CONFIDENTIAL

REVISION	#	DESCRIPTION	BY	DATE	DRAWN	DRAWN DATE	CHECKED	CHECKED DATE	SCALE	A4
	1	ORIGINAL DRAWING	DN	26.10.10	R.CRIGTON	9.12.13			N/A	
2	FULL PRODUCT REVIEW	RBC	9.12.13							
3										
4										
5										
							FIESTA SETTING SPEC.			
							FFSA004017	REV. 2	SHEET 1 OF 2	