



Quality
ISO 9001
SAI GLOBAL

SPECIFICATION:

MATERIALS:

Ends - Recycled Cast aluminium
Timbers - Hardwood Timber
Straps - Grade 304 Stainless steel
Fixings - Grade 304 Stainless steel

DIMENSIONS:

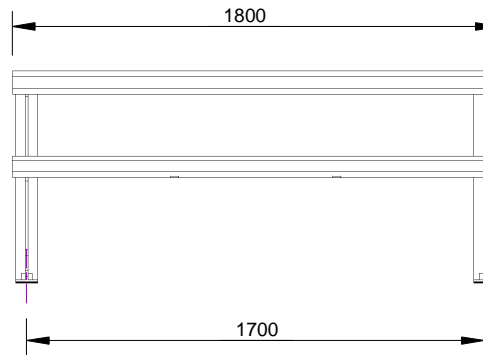
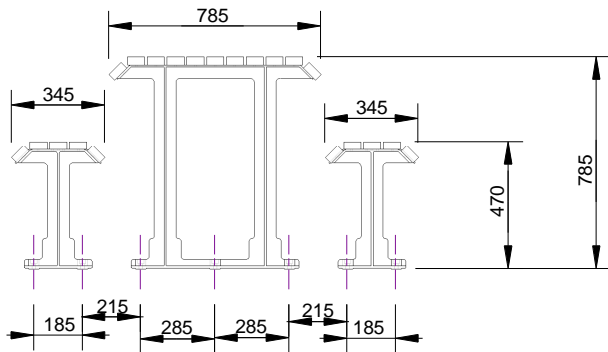
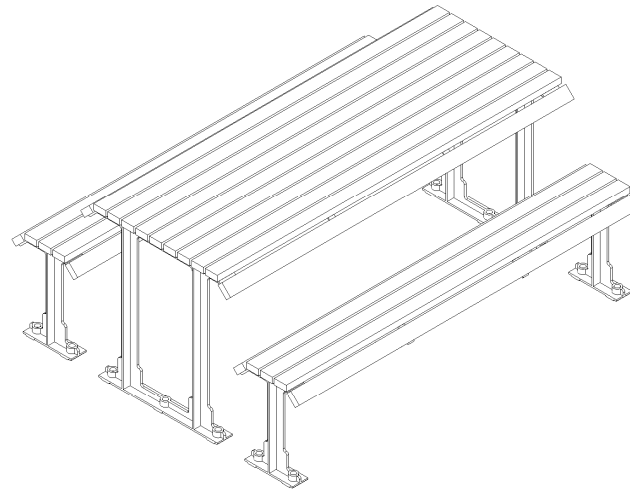
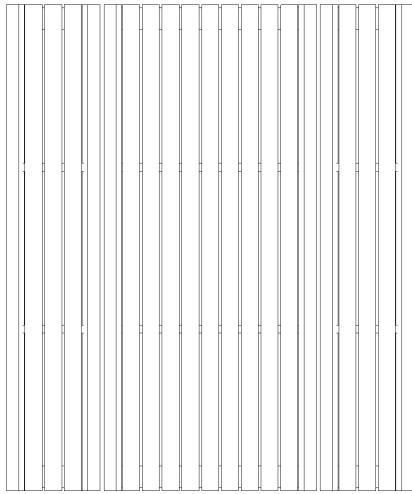
mm unless otherwise stated

FINISH:

Castings - Powder Coat, Mill finish
Strap - Linished
Timber - Oil Based

GROUND FIXING:

Bolt down



© copyright

CONFIDENTIAL

REVISION	#	DESCRIPTION	BY	DATE	DRAWN	DRAWN DATE	CHECKED	CHECKED DATE	SCALE	A4
	1	ORIGINAL DRAWING	RBC	24.1.14	R.CRIGTON	24.1.14			N/A	
2							FORESHORE SETTING SPEC.			
3										
4							FFSA004014		REV. 1	SHEET 1 OF 2
5										

