

SPECIFICATION:

MATERIALS:

Table Ends - Recycled Cast aluminium
 Timbers - Hardwood Timber
 Straps - Grade 304 Stainless steel
 Fixings - Grade 304 Stainless steel

DIMENSIONS:

mm unless otherwise stated

FINISH:

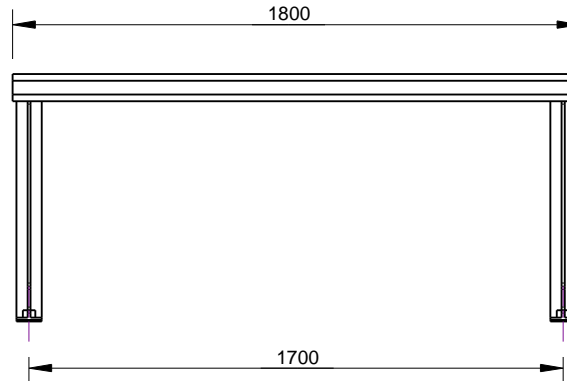
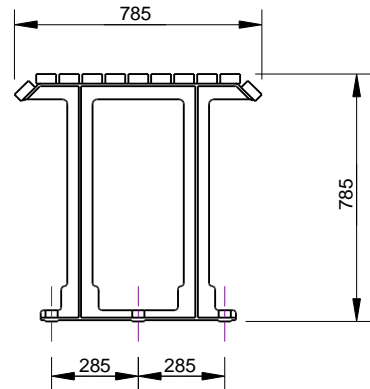
Castings - Mill finish or Powder Coat
 Strap - Stainless steel
 Timber - Oil Based

GROUND FIXING:

Bolt down



Quality
 ISO 9001
 SAI GLOBAL



CONFIDENTIAL

REVISION	#	DESCRIPTION	BY	DATE	DRAWN	DRAWN DATE	CHECKED	CHECKED DATE	SCALE	A4
	1	1	ORIGINAL DRAWING	RBC	24.1.14	R.CRIGTON	24.1.14			
2	2						FORESHORE TABLE SPEC.			
3	3									
4	4						FFSA003024		REV. 1	SHEET 1 OF 3
5	5									

