

## SPECIFICATION:

### MATERIALS:

Main construction - Cast aluminium  
 Slats - Hardwood timber  
 Floor mount brackets - Galvanised mild steel  
 Fixings - Stainless steel  
 Strap - Stainless steel

### DIMENSIONS:

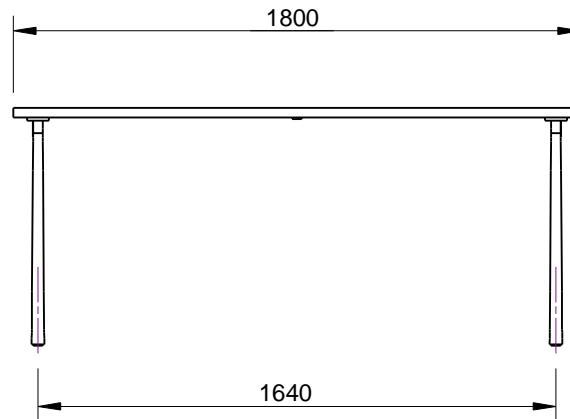
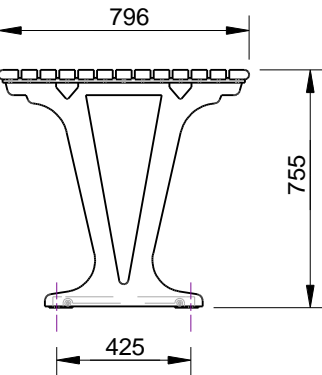
mm unless otherwise stated

### FINISH:

Castings - Natural  
 Timber - Oil Based

### NOTE:

This product is also available with wheel chair access, one or both ends.



Quality  
 ISO 9001  
 SAI GLOBAL



copyright

CONFIDENTIAL

REVISION	#	DESCRIPTION	BY	DATE	DRAWN	DRAWN DATE	CHECKED	CHECKED DATE	SCALE	A4
	1	1	ORIGINAL DRAWING	RBC	7.11.13	R.CRIGTON	7.11.13			
2							FULCRUM TABLE SPEC.			
3										
4							FFSA003020		REV. 1	SHEET 1 OF 5
5										

