

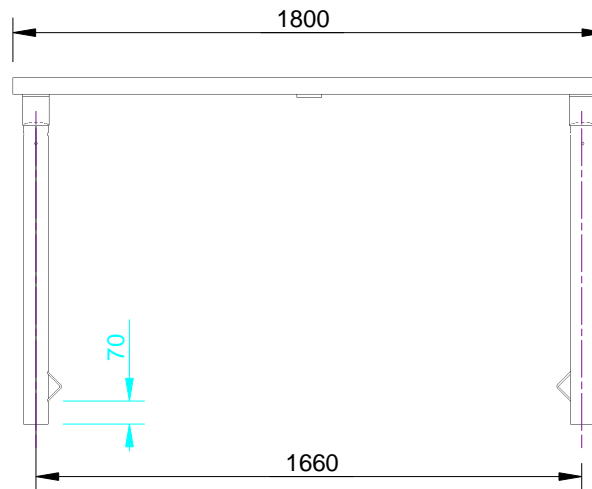
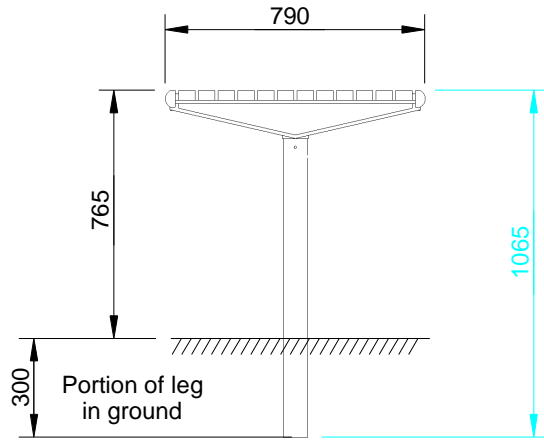
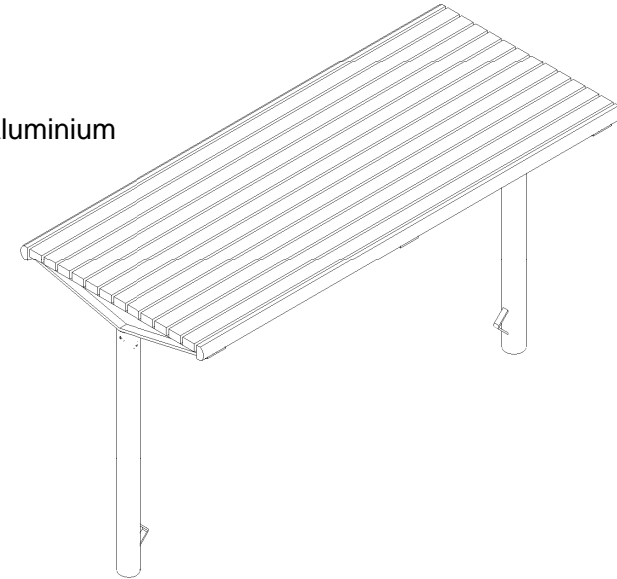
# SPECIFICATION:

**MATERIAL:**  
 Bench Ends & Centre Support - Recycled Cast Aluminium  
 Legs - Stainless Steel  
 Timber Slats - Hardwood Timber  
 Fixings - Stainless Steel

**DIMENSIONS:**  
 mm unless otherwise stated

**FINISH:**  
 Castings - Mill Finish  
 Timber - Oil Based

**GROUND FIXING:**  
 In ground



© copyright  
 CONFIDENTIAL

REVISION #	DESCRIPTION	BY	DATE	DRAWN	DRAWN DATE	CHECKED	CHECKED DATE	SCALE	A4
								N/A	
1	ORIGINAL DRAWING	DN	12.8.10	R.CRIGTON	8.12.13				
2	FULL PRODUCT REVIEW	RBC	8.12.13						
3									
4									
5									
						PROMENADE TABLE - IN GROUND SPEC.			
							FFSA003017	REV. 2	SHEET 1 OF 4