

SPECIFICATION:

MATERIAL:

Table Ends & Centre Support - Recycled Cast Aluminium
 Legs - Stainless Steel
 Timber Slats - Hardwood Timber
 Fixings - Stainless Steel

DIMENSIONS:

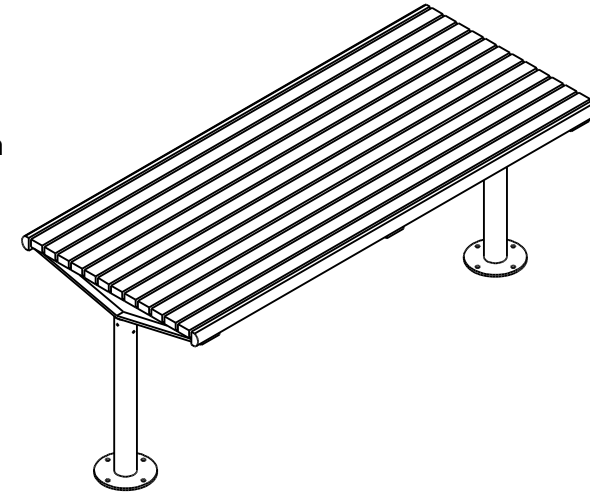
mm unless otherwise stated

FINISH:

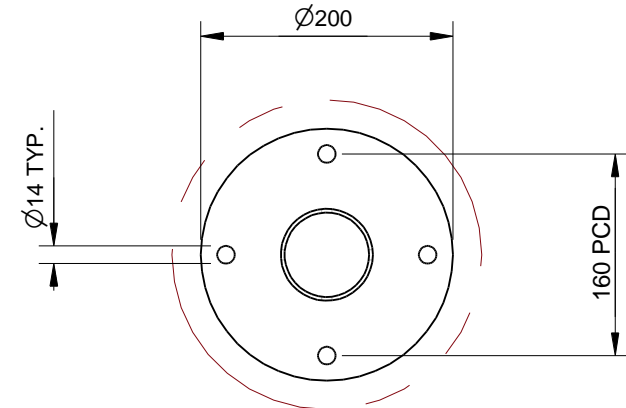
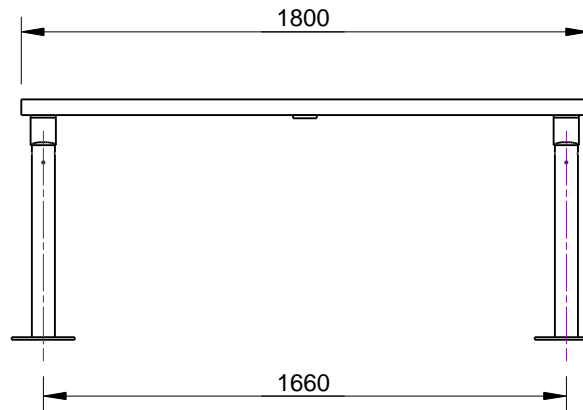
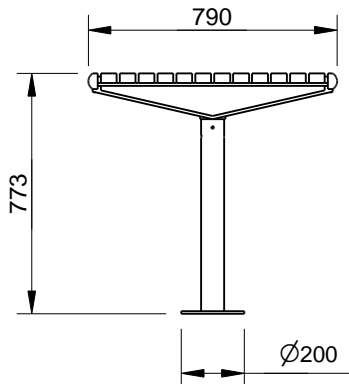
Castings - Mill Finish
 Timber - Oil Based

GROUND FIXING:

Bolt down



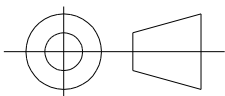
Quality
 ISO 9001
 SAI GLOBAL



Detail A
 BOLT DOWN DETAIL
 TIMBERS & CASTING
 HIDDEN FOR CLARRITY

© copyright
 CONFIDENTIAL

REVISION	#	DESCRIPTION	BY	DATE	DRAWN	DRAWN DATE	CHECKED	CHECKED DATE	SCALE	A4
	1	ORIGINAL DRAWING	DN	19.10.10	R.CRIGTON	8.12.13			N/A	
2	FULL PRODUCT REVIEW	RBC	8.12.13							
3										
4										
5										



PROMENADE TABLE - BOLT DOWN SPEC.

FFSA003016 REV. 2 SHEET 1 OF 4