



Quality
ISO 9001
SAI GLOBAL

SPECIFICATION:

MATERIALS:

Main construction - Cast Aluminium
Slats - Harwood Timber
Pipes & Brace - Mild Steel
Strap - Stainless Steel

DIMENSIONS:

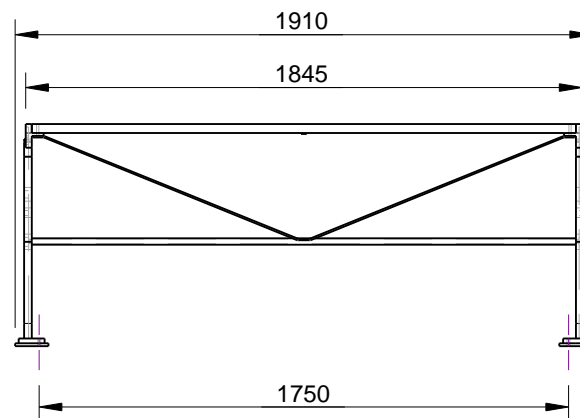
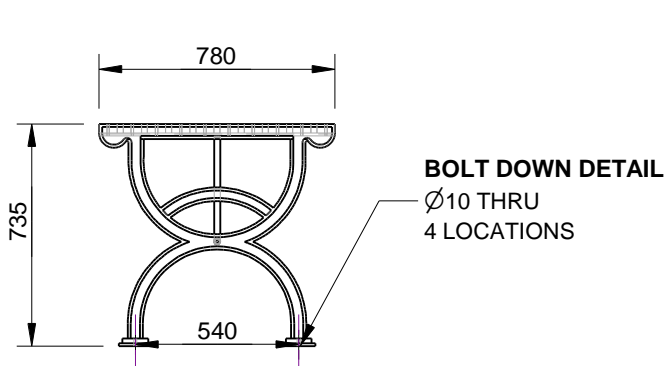
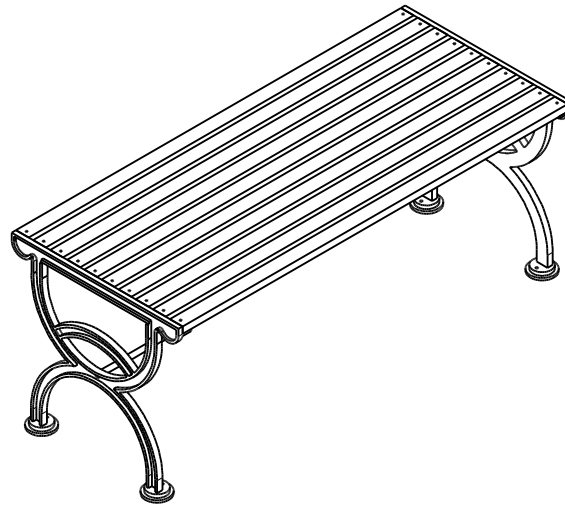
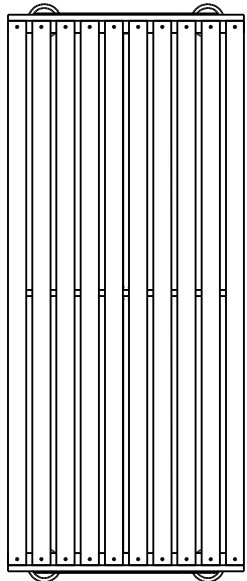
mm unless otherwise stated

FINISH:

Castings - Milled or Powder coat (optional)
Timbers - Oil Based
Pipes & Brace - Powder coat

GROUND FIXINGS:

Bolt down



CONFIDENTIAL

REVISION #	DESCRIPTION	BY	DATE	DRAWN	DRAWN DATE	CHECKED	CHECKED DATE	SCALE	A4
								N/A	
1	ORIGINAL DRAWING	DN	26.11.10	R.CRIGTON	5.12.13				
2	FULL PRODUCT REVIEW	RBC	5.12.13						
3									
4									
5									

PLAZA TABLE
SPEC.

FFSA003010

REV.
2

SHEET
1 OF 3