

SPECIFICATION:

MATERIALS:

Main construction - Cast aluminium
 Timbers - Hard wood
 Straps - Powdercoat
 Fixings - Zinc

DIMENSIONS:

mm unless otherwise stated

FINISH:

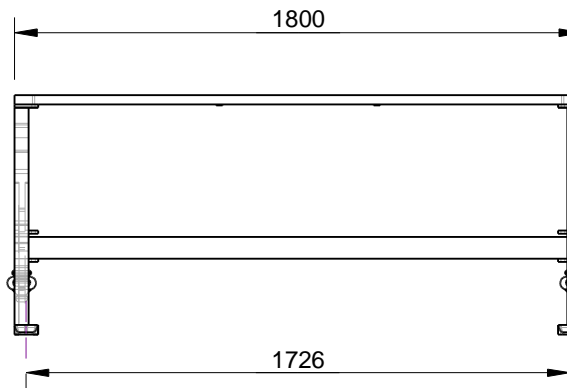
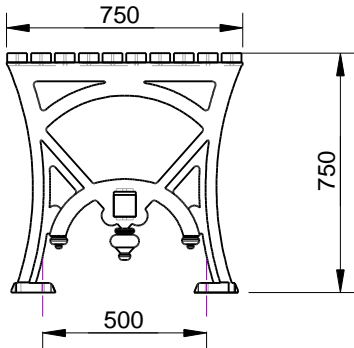
Castings - Powdercoat
 Timber - Oil based

GROUND FIXINGS:

Bolt down



Quality
 ISO 9001
 SAI GLOBAL



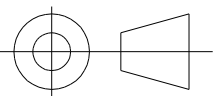
BOLT DOWN DETAIL

Ø10 THRU
 4 LOCATIONS

© copyright

CONFIDENTIAL

REVISION #	DESCRIPTION	BY	DATE	DRAWN	DRAWN DATE	CHECKED	CHECKED DATE	SCALE	A4
								N/A	
1	ORIGINAL DRAWING	DN	17.9.10	R.CRIGTON	4.12.13				
2	FULL PRODUCT REVIEW	RBC	4.12.13						
3									
4									
5									



HERITAGE TABLE SPEC.
 FFSA003006
 REV. 2
 SHEET 1 OF 3