



Quality
ISO 9001
SAI GLOBAL

SPECIFICATION:

MATERIALS:

Main construction - Cast aluminium
Timbers - Hard wood
Straps - Stainless steel
Fixings - Stainless steel

DIMENSIONS:

mm unless otherwise stated

FINISH:

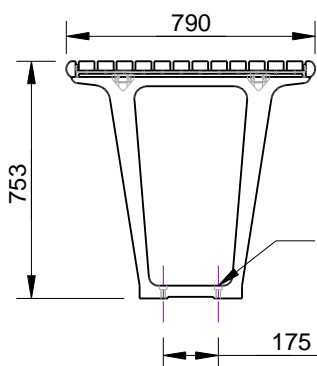
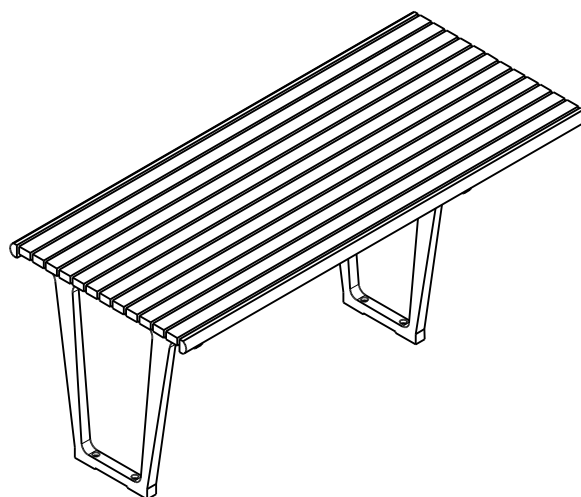
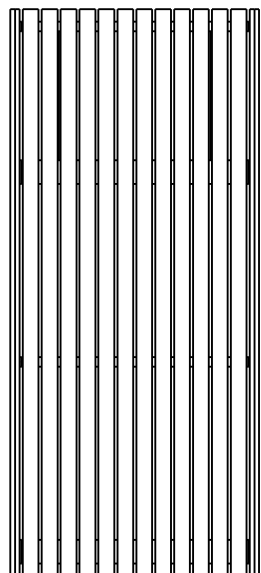
Castings - Mill Finish or Powdercoat
Timber - Oil based

GROUND FIXINGS:

Bolt down

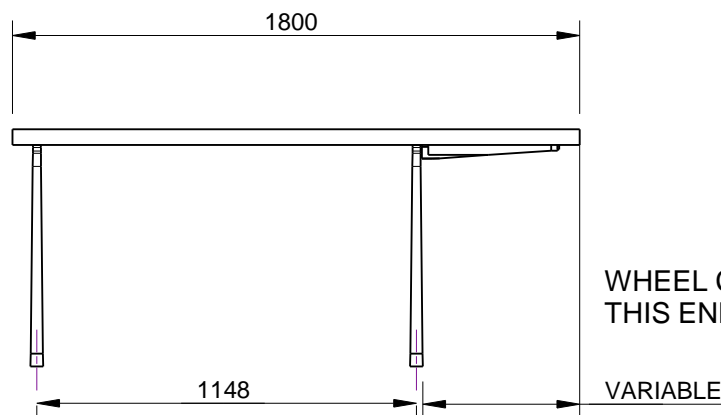
WHEEL CHAIR ACCESS:

One end



BOLT DOWN DETAIL

Ø14 THRU
Ø24 C.B.
4 LOCATIONS

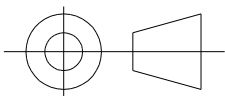


WHEEL CHAIR ACCESS
THIS END

VARIABLE

© copyright
CONFIDENTIAL

REVISION #	DESCRIPTION	BY	DATE	DRAWN	DRAWN DATE	CHECKED	CHECKED DATE	SCALE	A4
2	FULL PRODUCT REVIEW	RBC	4.12.13						
3									
4									
5									



METRO TABLE WCA - ONE END SPEC.
FFSA003002
REV. 2
SHEET 1 OF 3