



Quality
ISO 9001
SAI GLOBAL

SPECIFICATION:

MATERIALS:

Main construction - Cast aluminium
Timbers - Hard wood
Straps - Stainless steel
Fixings - Stainless steel

DIMENSIONS:

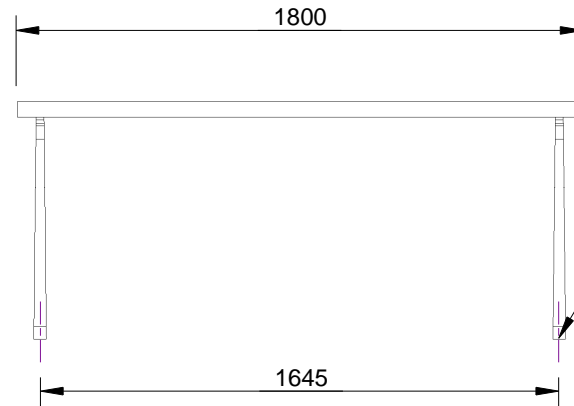
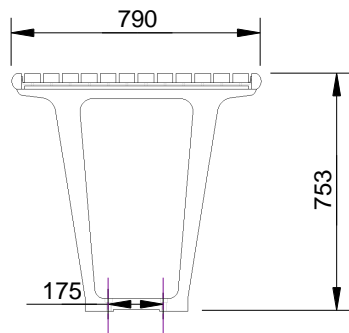
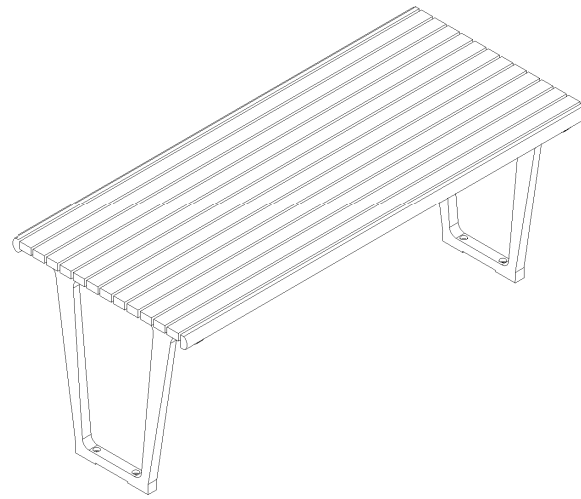
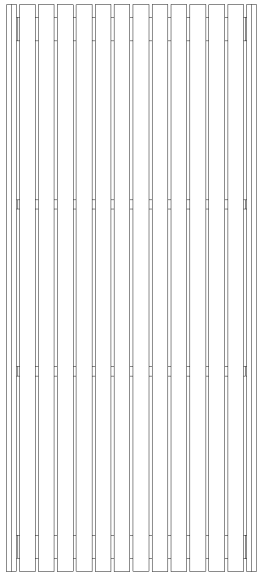
mm unless otherwise stated

FINISH:

Castings - Mill Finish or Powdercoat
Timber - Oil based

GROUND FIXINGS:

Bolt down



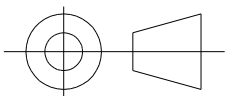
BOLT DOWN DETAIL

Ø14 THRU
Ø24 C.B.
4 LOCATIONS



CONFIDENTIAL

REVISION #	DESCRIPTION	BY	DATE	DRAWN	DRAWN DATE	CHECKED	CHECKED DATE	SCALE	A4
								N/A	
1	ORIGINAL DRAWING	DN	22.9.10	R.CRIGTON	4.12.13				
2	FULL PRODUCT REVIEW	RBC	4.12.13						
3									
4									
5									



METRO TABLE
SPEC.

FFSA003001

REV.
2

SHEET
1 OF 3