



Quality
ISO 9001
SAI GLOBAL

SPECIFICATION :

MATERIAL:

Seat ends - Recycled cast aluminium
Frame & Slats - Mild Steel construction

DIMENSIONS:

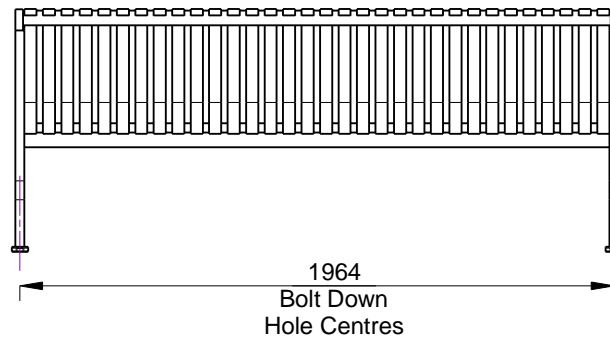
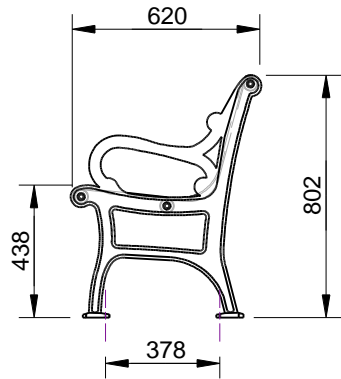
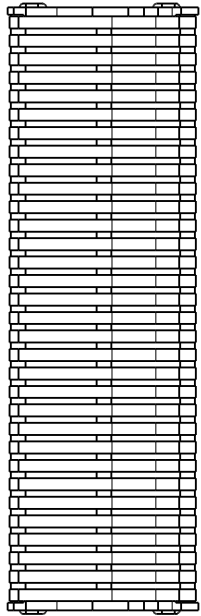
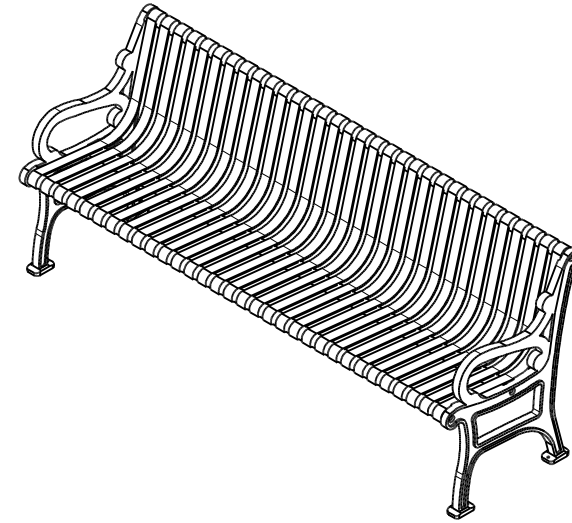
mm unless otherwise stated

FINISH:

Castings - Milled or Powder coat (optional)
Slats - Galvanised with optional powder coat

GROUND ATTACHMENT:

Bolt down



CONFIDENTIAL

| REVISION | # | DESCRIPTION | BY | DATE | DRAWN | DRAWN DATE | CHECKED | CHECKED DATE | SCALE | A4 |
|----------|---------------------|------------------|---------|---------|-----------|------------|---------|--------------|-------|----|
| | 1 | ORIGINAL DRAWING | DN | 8.11.10 | R.CRIGTON | 1.12.13 | | | N/A | |
| 2 | FULL PRODUCT REVIEW | RBC | 1.12.13 | | | | | | | |
| 3 | | | | | | | | | | |
| 4 | | | | | | | | | | |
| 5 | | | | | | | | | | |

STEEL SLATTED COUNCIL SEAT
SPEC.

FFSA002007

REV.
2

SHEET
1 OF 4