

SPECIFICATION:

MATERIALS:

Main construction - Recycled Cast aluminium
Timbers - Hard wood
Strap - Mild steel

DIMENSIONS:

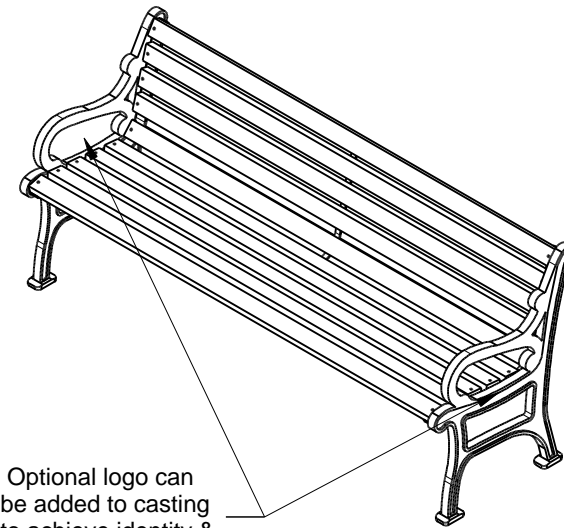
mm unless otherwise stated

FINISH:

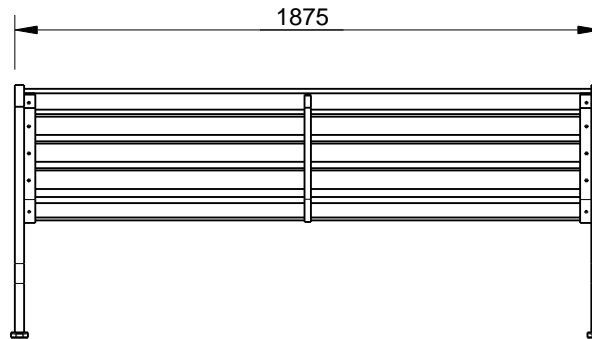
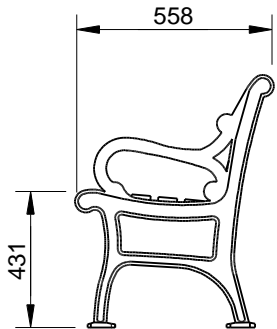
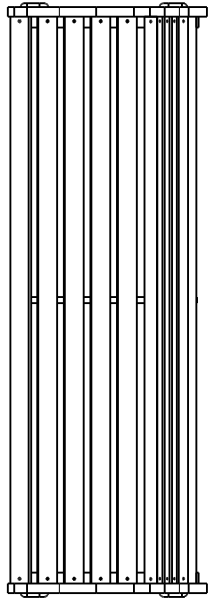
Castings - Mill or optional Powder coat
Timber - Oil Based

ATTACHMENT:

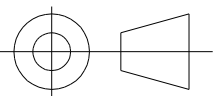
Bolt down



NOTE: Optional logo can be added to casting to achieve identity & a more unique look.



REVISION #	DESCRIPTION	BY	DATE	DRAWN	DRAWN DATE	CHECKED	CHECKED DATE	SCALE	A4
2	FULL PRODUCT REVIEW	RBC	29.11.13						
3									
4									
5									



COUNCIL SEAT SPEC.
FFSA002004
REV. 2
SHEET 1 OF 3