



Quality
ISO 9001
SAI GLOBAL

SPECIFICATION:

MATERIAL:

Main construction - 304 Stainless steel
Slats - Hardwood timber
Fixings - Stainless steel

DIMENSIONS:

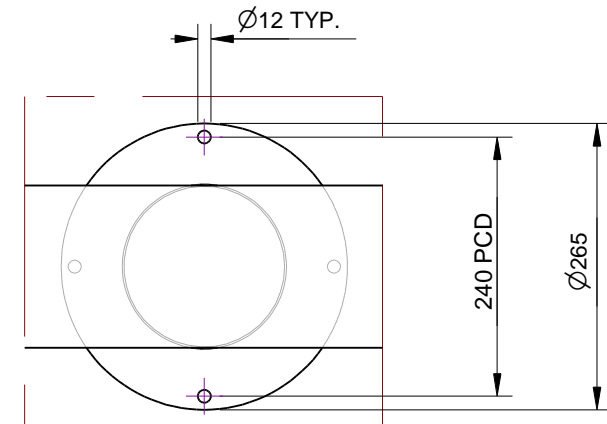
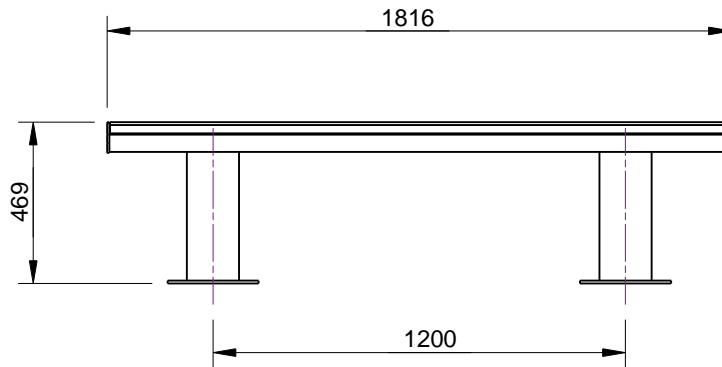
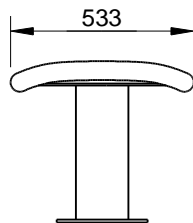
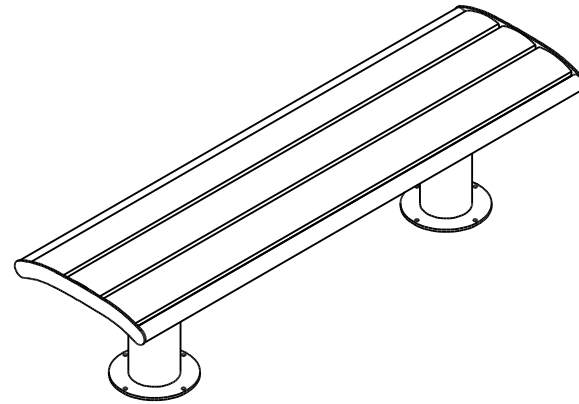
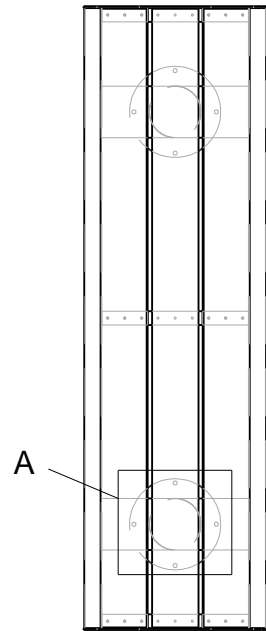
mm unless otherwise stated

FINISH:

Stainless steel components - Polished
Timbers - Oil based

GROUND ATTACHEMENT:

Bolt down



Detail A
BOLT DOWN DETAIL
SLATS REMOVED
FOR CLARITY



CONFIDENTIAL

REVISION #	DESCRIPTION	BY	DATE	DRAWN	DRAWN DATE	CHECKED	CHECKED DATE	SCALE	A4
								N/A	
1	ORIGINAL DRAWING	DN	4.11.10	R.CRIGTON	3.2.14				
2	FULL PRODUCT REVIEW	RBC	3.2.14						
3									
4									
5									
								LYNDARUM BENCH - BOLT DOWN SPEC.	
						FFSC001001	REV. 2	SHEET 1 OF 2	