



Quality
ISO 9001
SAI GLOBAL

SPECIFICATION:

MATERIALS:

Bench Ends - Recycled Cast aluminium
Timbers Slats- Hardwood Timber
Strap - Mild steel

DIMENSIONS:

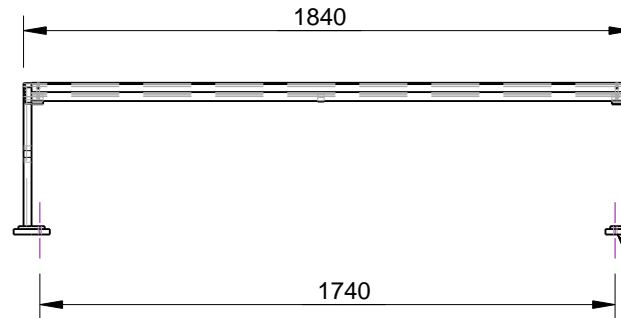
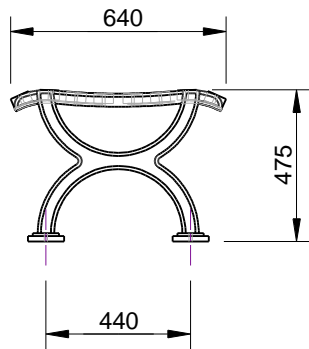
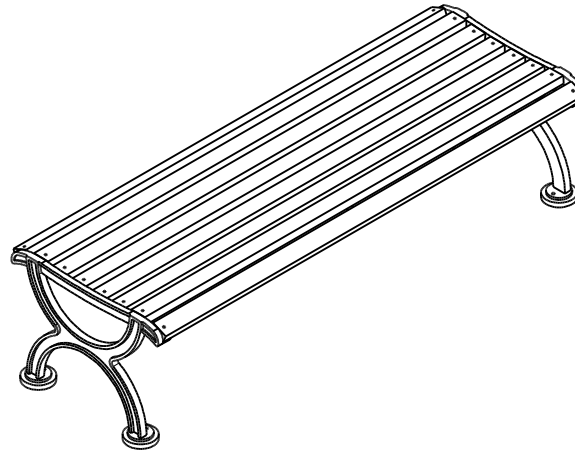
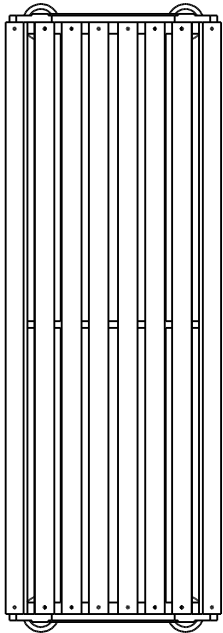
mm unless otherwise stated

FINISH:

Castings - Mill Finish or Optional Powder Coat
Timber - Oil Based

GROUND ATTACHMENT:

Bolt down



BOLT DOWN DETAIL

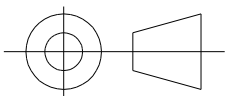
Ø10 THRU
4 LOCATIONS



copyright

CONFIDENTIAL

REVISION	#	DESCRIPTION	BY	DATE	DRAWN	DRAWN DATE	CHECKED	CHECKED DATE	SCALE	A4
	1	ORIGINAL DRAWING	DN	25.11.10	R.CRIGTON	28.11.13			N/A	
2	FULL PRODUCT REVIEW	RBC	28.11.13							
3										
4										
5										



PLAZA BENCH
SPEC.

FFSA001010

REV.
2

SHEET
1 OF 3