



Quality
ISO 9001
SAI GLOBAL

SPECIFICATION :

MATERIAL:

Seat ends - Recycled cast aluminium
Frame & Slats - Mild Steel construction

DIMENSIONS:

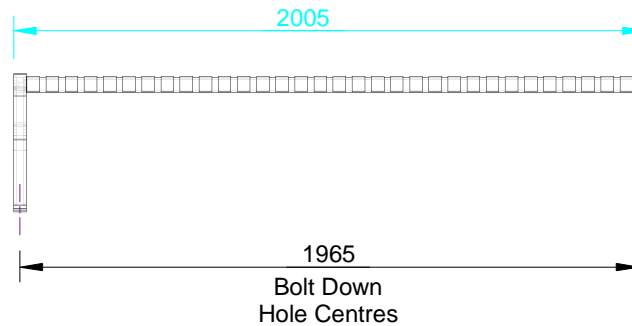
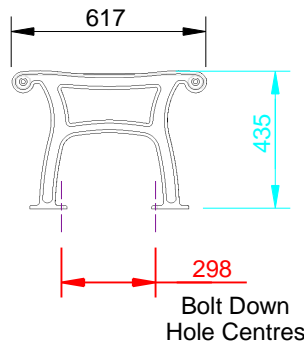
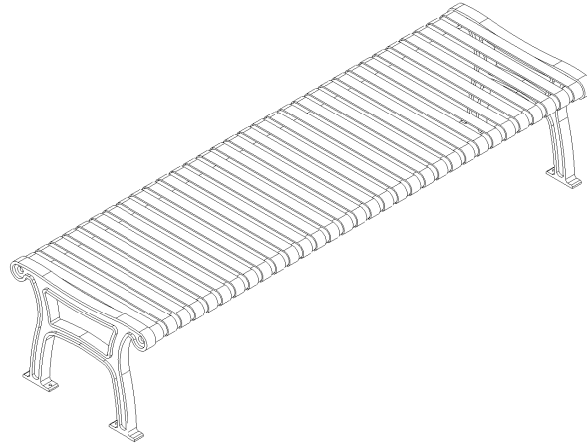
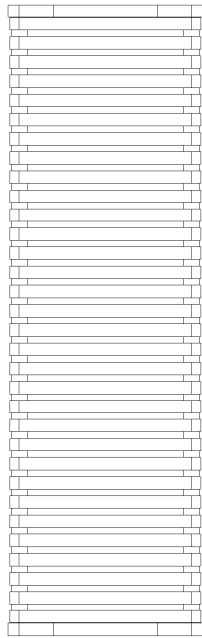
mm unless otherwise stated

FINISH:

Castings - Milled or Powder coat (optional)
Slats - Galvanised with optional powder coat

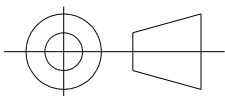
GROUND ATTACHMENT:

Bolt down



CONFIDENTIAL

REVISION #	DESCRIPTION	BY	DATE	DRAWN	DRAWN DATE	CHECKED	CHECKED DATE	SCALE	A4
2	FULL PRODUCT REVIEW	RBC	27.11.13						
3									
4									
5									



STEEL SLATTED COUNCIL BENCH SPEC.
FFSA001007 REV. 2 SHEET 1 OF 4