

## SPECIFICATION:

### MATERIALS:

Bench Ends - Recycled Cast aluminium  
 Timbers - Hardwood Timber Slats  
 Straps - Mild Steel

### DIMENSIONS:

mm unless otherwise stated

### FINISH:

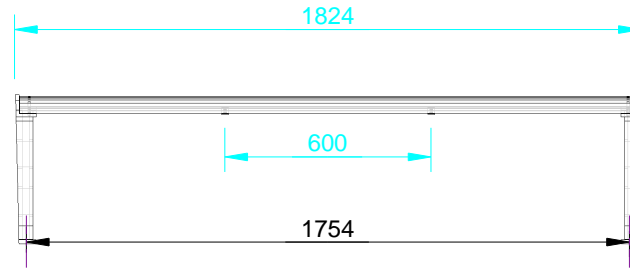
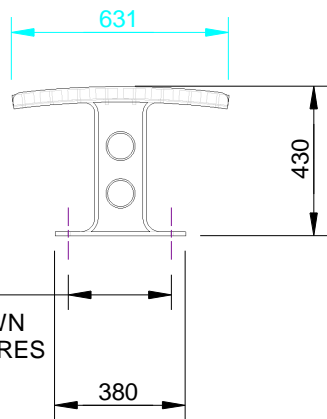
Castings - Mill Finish or Optional Powder Coat  
 Timber - Oil Based

### GROUND FIXING:

Bolt Down



Quality  
 ISO 9001



300  
 BOLT DOWN  
 HOLE CENTRES

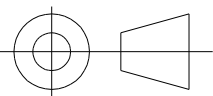
1754  
 BOLT DOWN  
 HOLE CENTRES



copyright

CONFIDENTIAL

REVISION	#	DESCRIPTION	BY	DATE	DRAWN	DRAWN DATE	CHECKED	CHECKED DATE	SCALE	A4
	1	ORIGINAL DRAWING	DN	5.10.10	R.CRIGTON	27.11.13			N/A	
2	FULL PRODUCT REVIEW	RBC	27.11.13							
3										
4										
5										



FIESTA BENCH  
 SPEC.  
 FFSA001005  
 REV. 2  
 SHEET 1 OF 3