

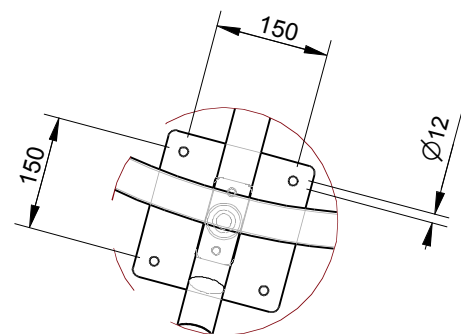
SPECIFICATION:

Material:
Frame & Slats: Mild Steel Construction

Dimensions:
All in mm unless otherwise stated

Finish:
Steel - Galvanised and optional Powder Coat

Ground Fixings:
Bolt Down



Detail A
SLATS REMOVED
FOR CLARRITY



© copyright
CONFIDENTIAL

REVISION #	DESCRIPTION	BY	DATE	DRAWN	DRAWN DATE	CHECKED	CHECKED DATE	SCALE	A4
2	FULL PRODUCT REVIEW	RBC	22.11.14						
3									
4									
5									

STEEL SLATTED CIRCULAR SEAT - BOLT DOWN SPEC.

FFSB002003

REV. 1

SHEET 1 OF 2