

# SPECIFICATION:

## MATERIALS:

Castings - Recycled Cast aluminium  
Timbers - Hardwood Timber  
Fixings - Grade 304 Stainless steel

## DIMENSIONS:

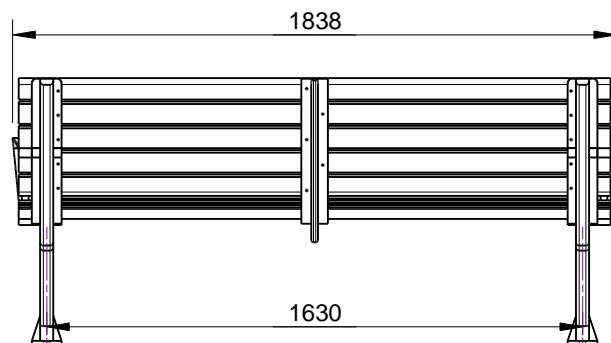
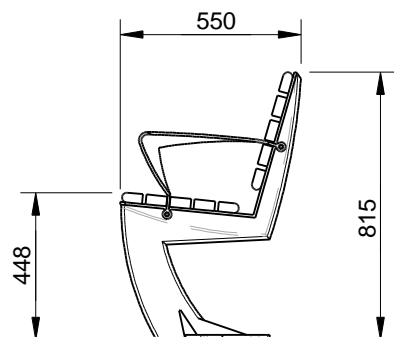
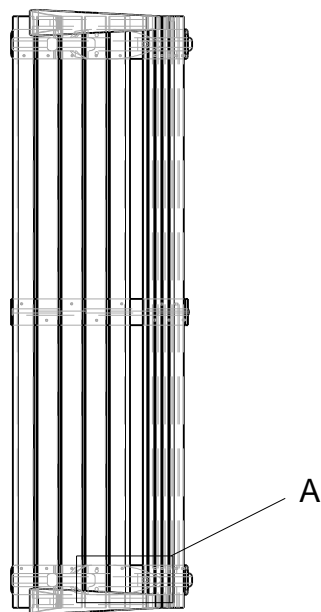
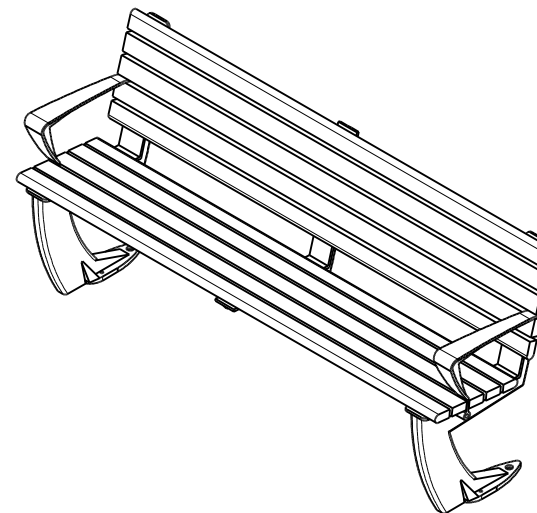
mm unless otherwise stated

## FINISH:

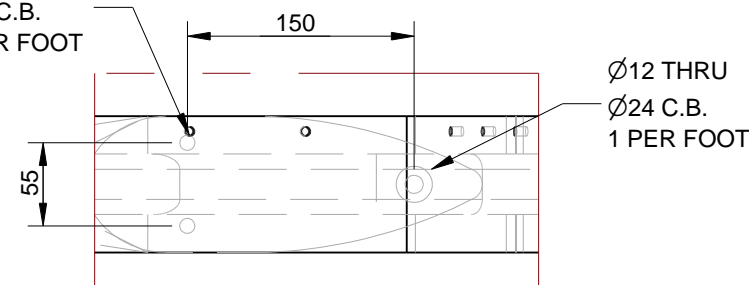
Castings - Mill Finish with polished arm rests  
Timber - Oil Based

## GROUND FIXING:

Bolt down



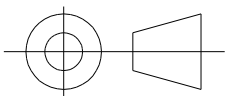
Ø10 THRU  
Ø20 C.B.  
2 PER FOOT



Detail A  
BOLT DOWN DETAIL  
TIMBERS AND ARM  
REST REMOVED  
FOR CLARRITY

© copyright  
CONFIDENTIAL

REVISION	#	DESCRIPTION	BY	DATE	DRAWN	DRAWN DATE	CHECKED	CHECKED DATE	SCALE	A4
	1	ORIGINAL DRAWING	DN	28.10.10	R.CRIGTON	4.12.13			N/A	
2	FULL PRODUCT REVIEW	RBC	4.12.13							
3										
4										
5										



CORSO SEAT SPEC.  
FFSA002026  
REV. 2  
SHEET 1 OF 3